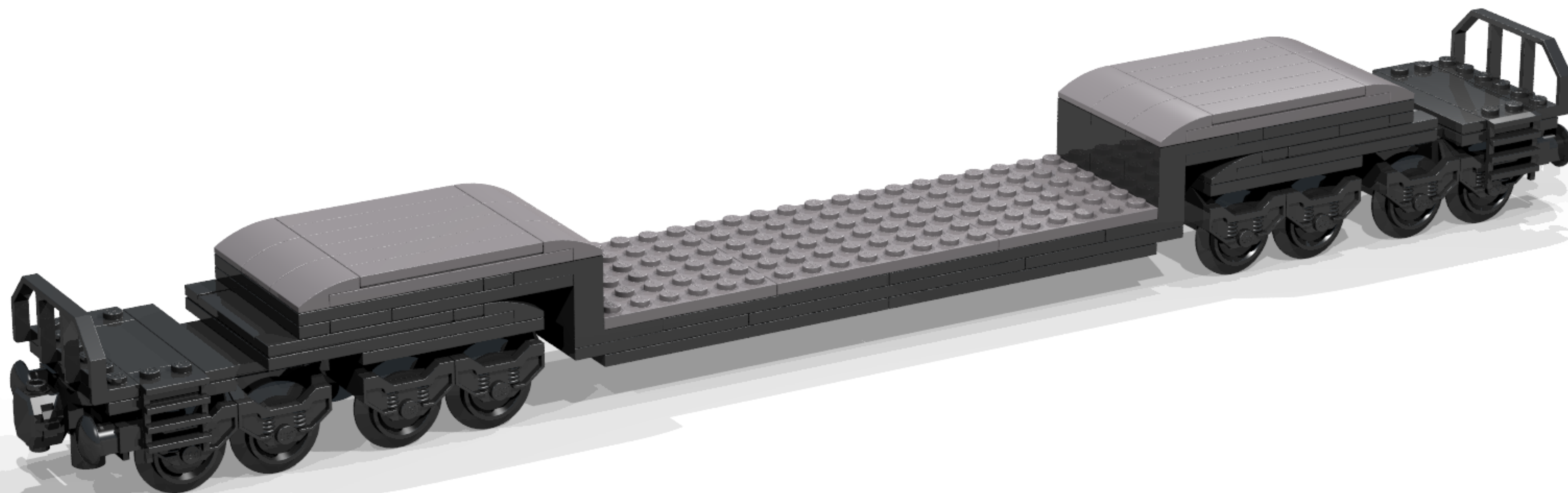
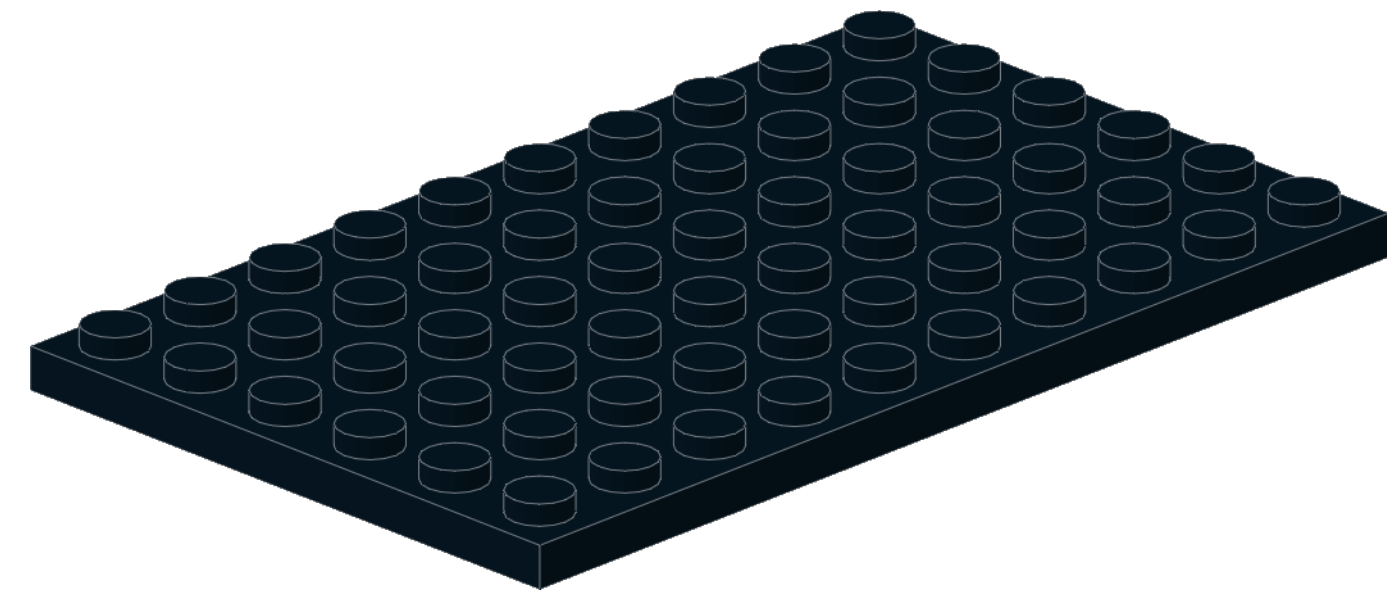
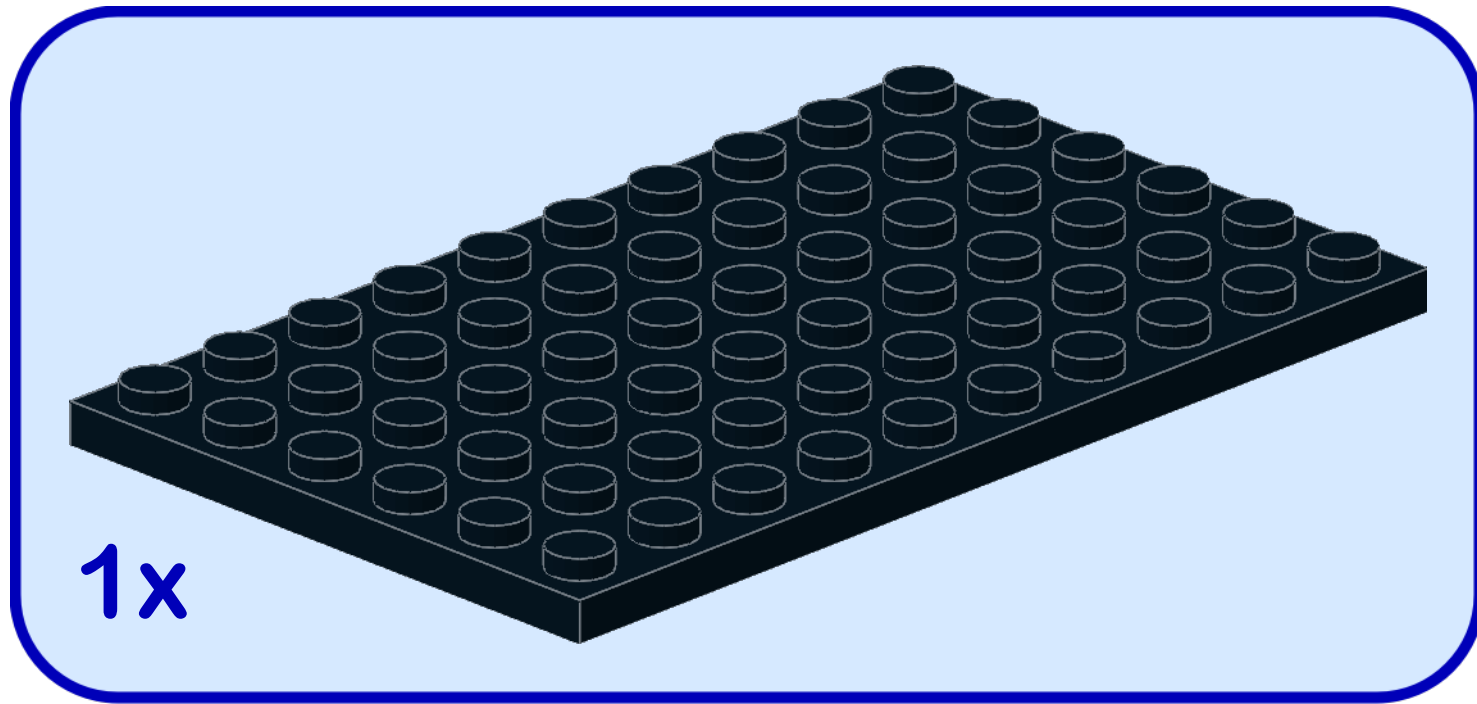


# 16-Wheel Low Loader

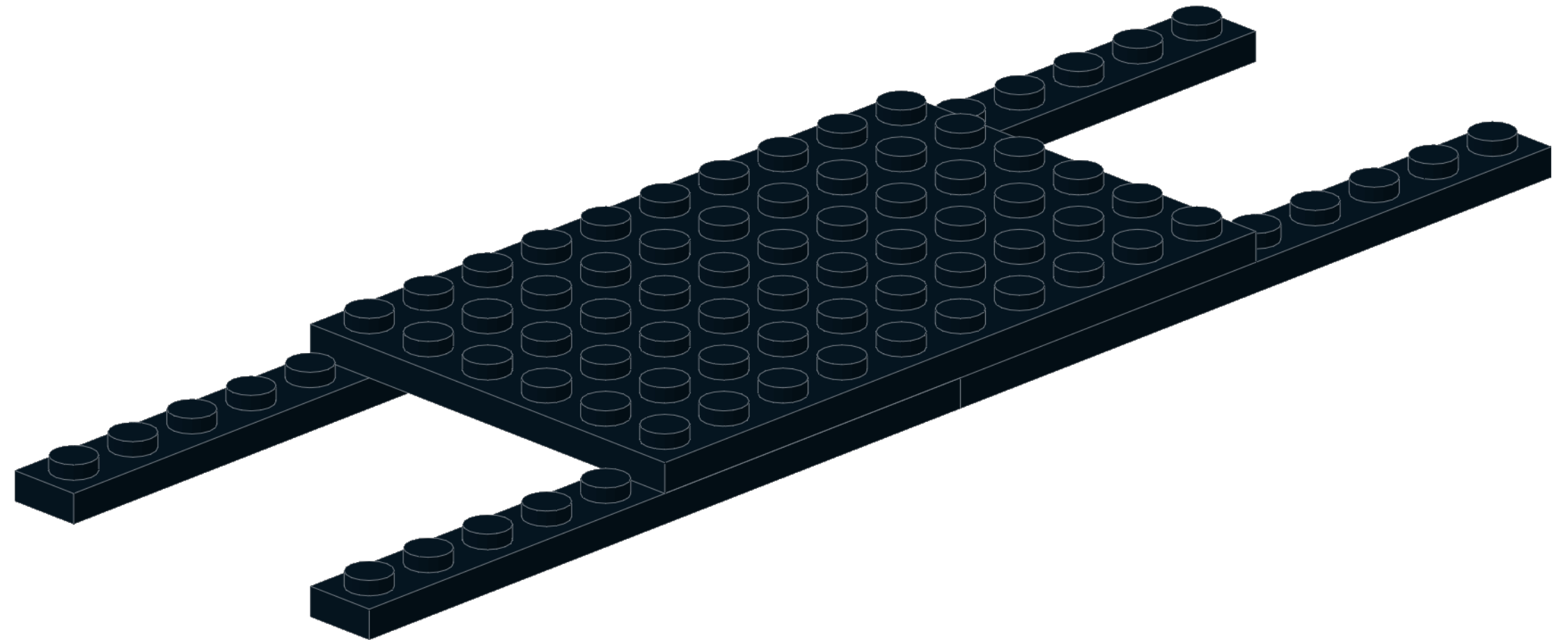
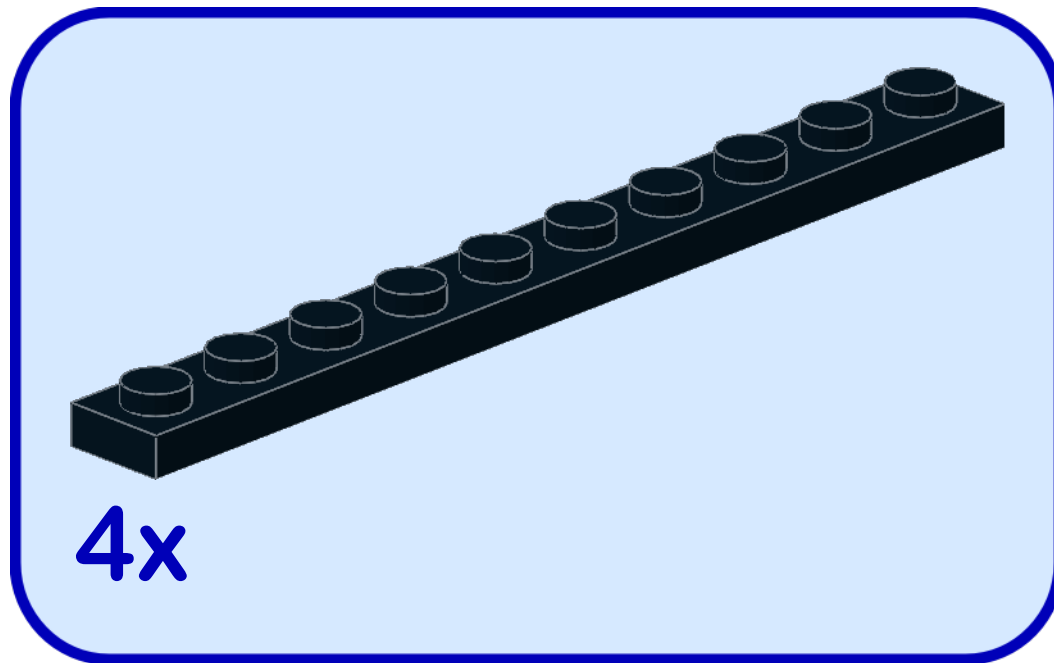


144 Pieces

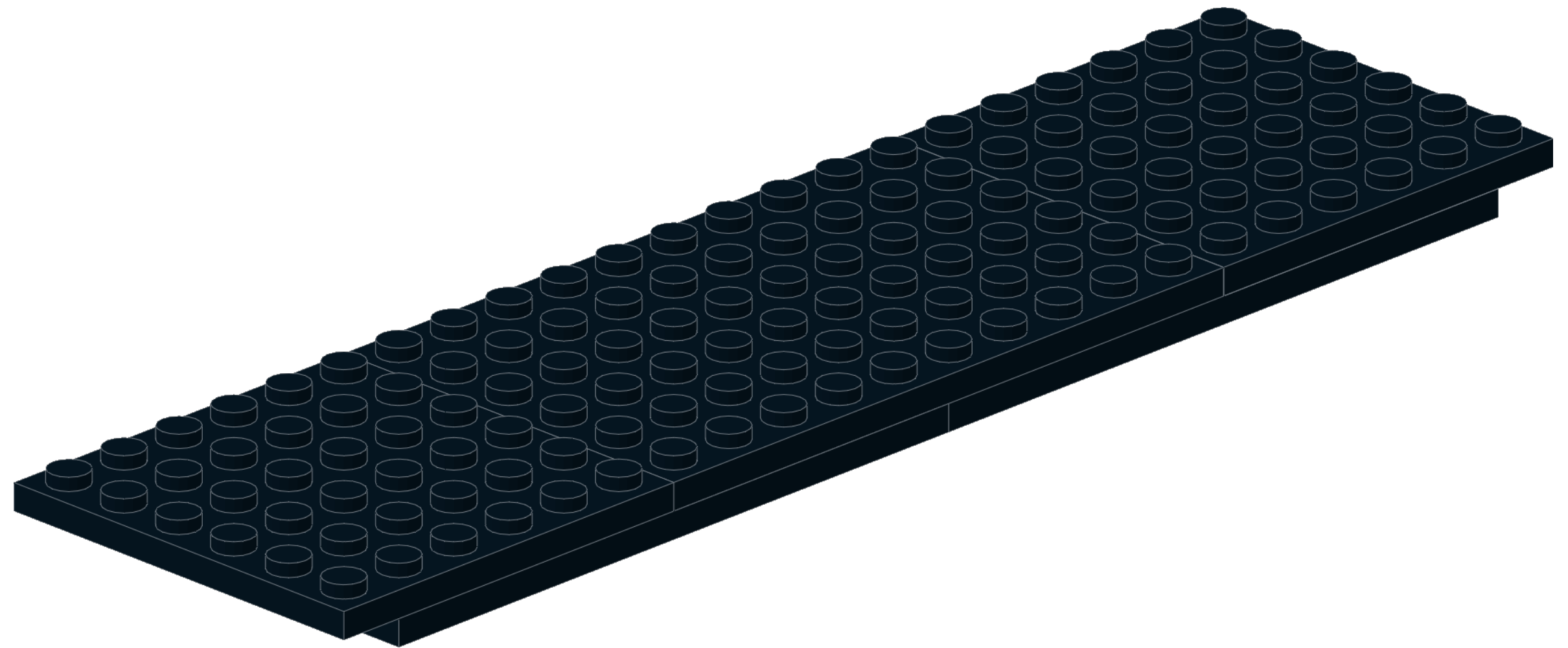
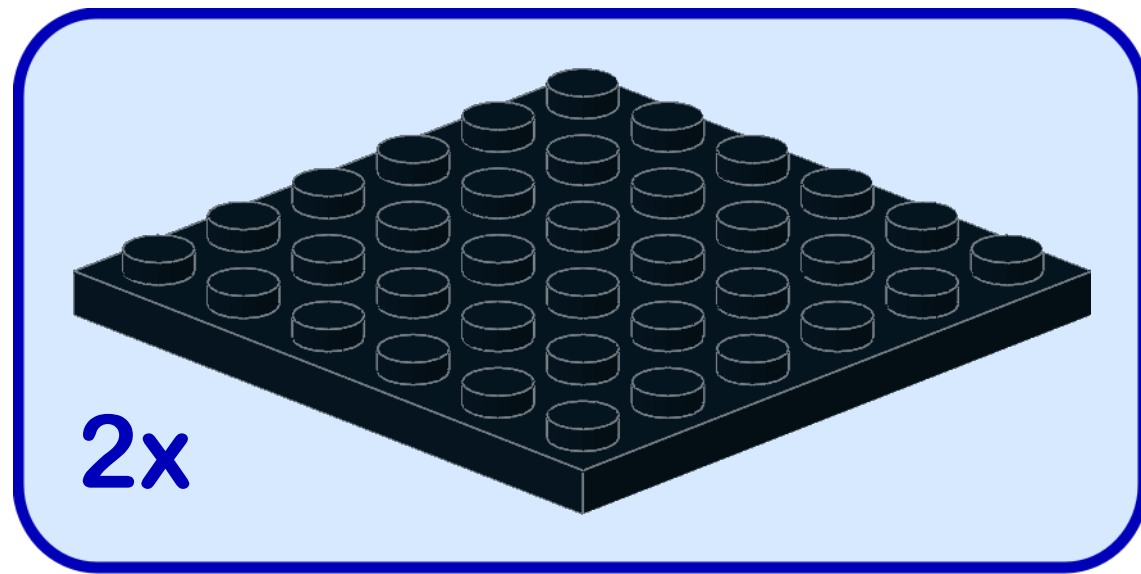
1



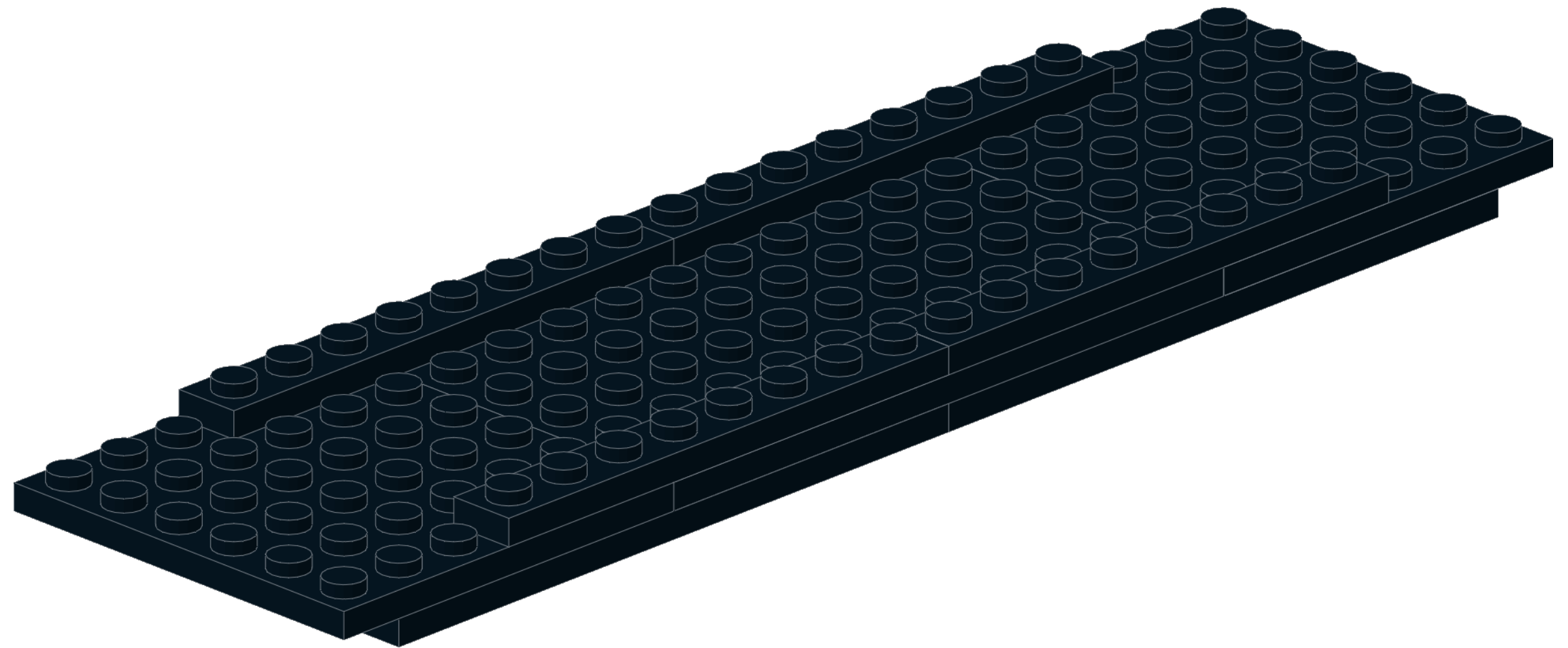
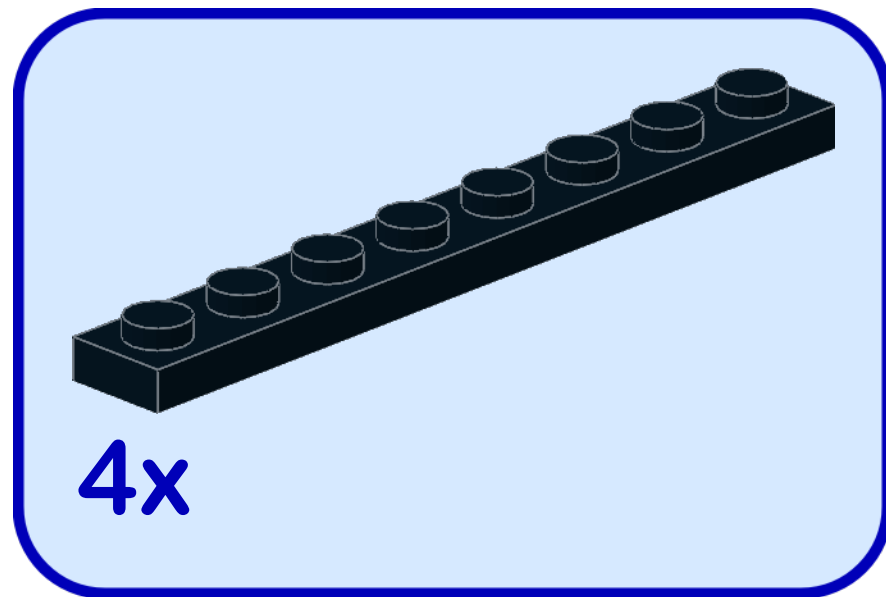
2



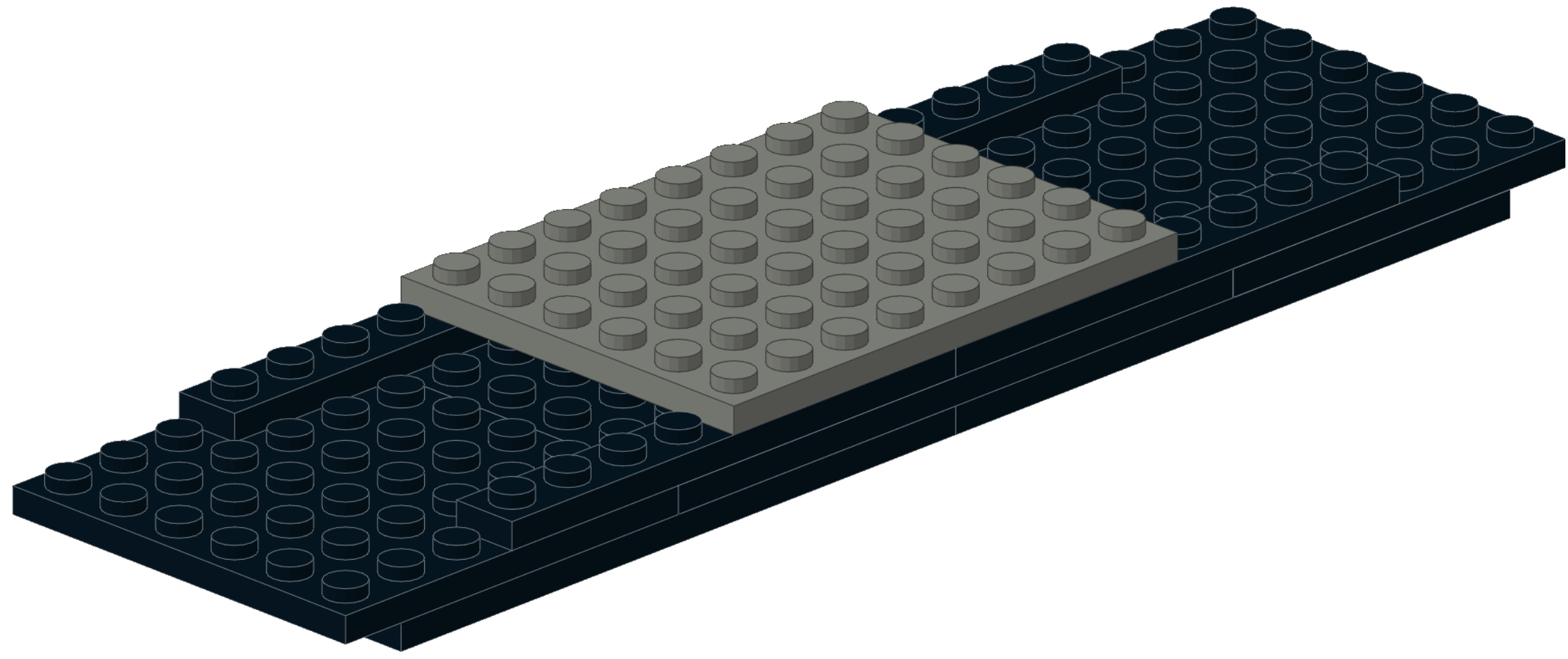
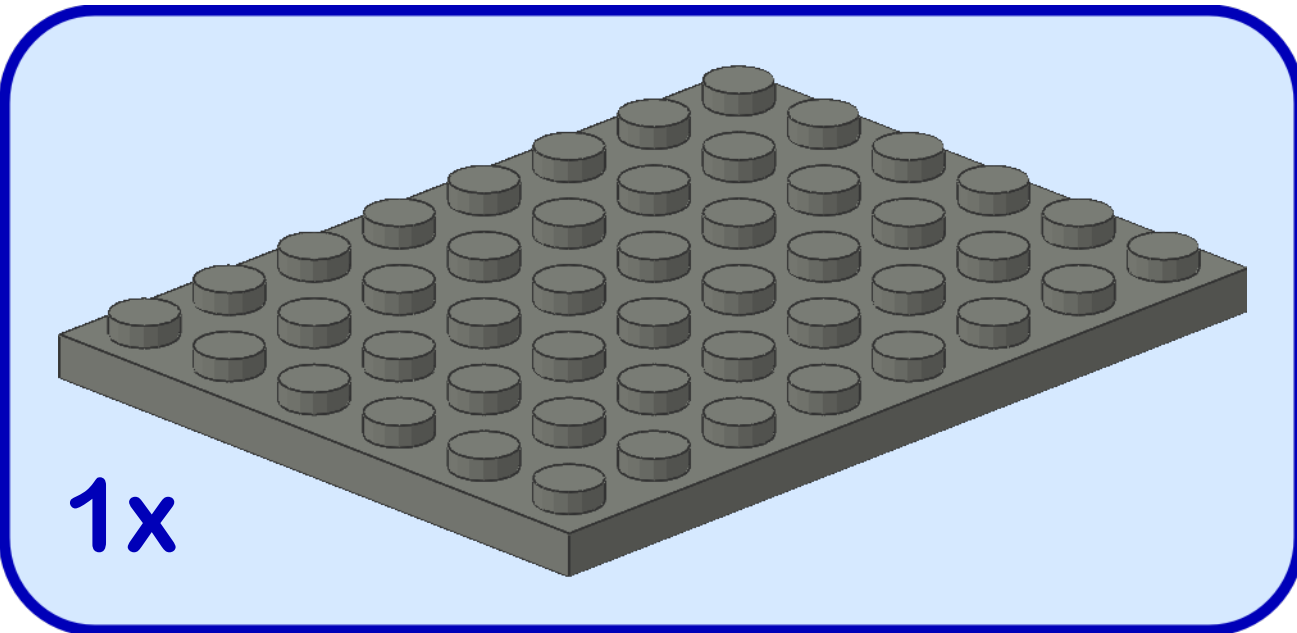
3

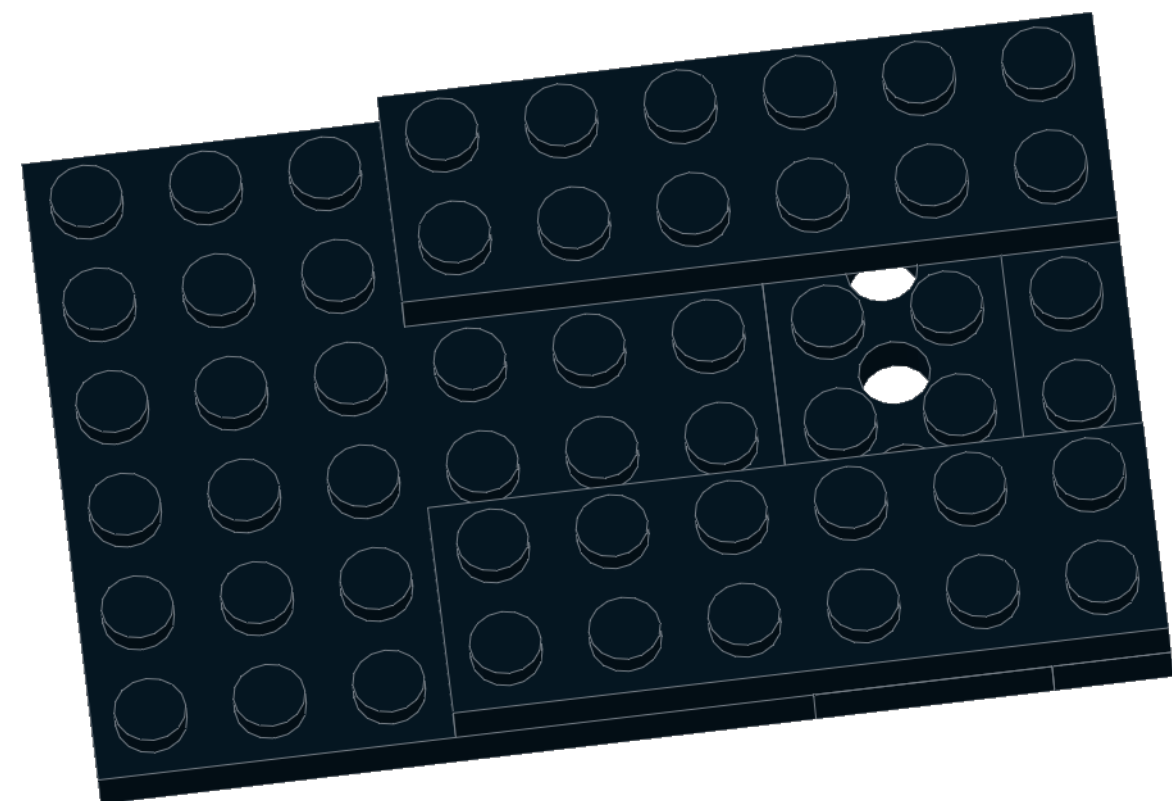
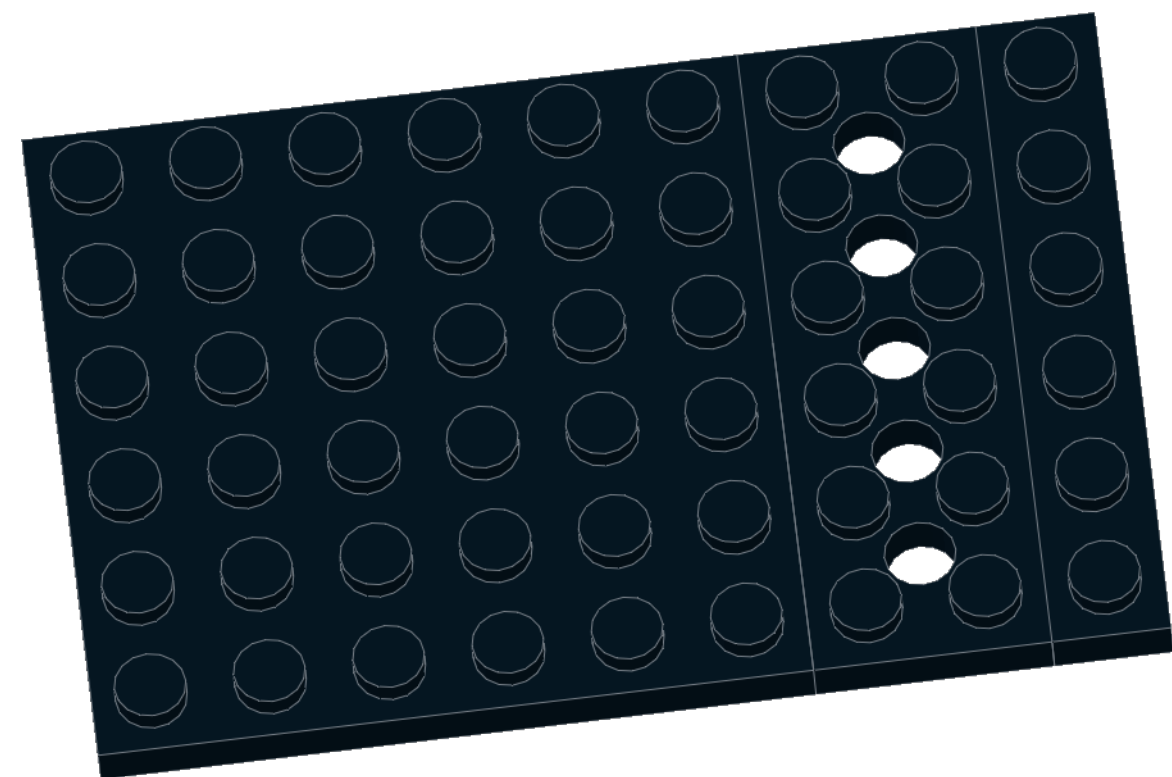
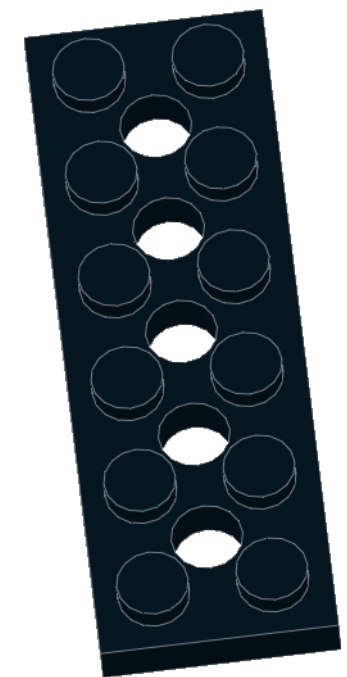
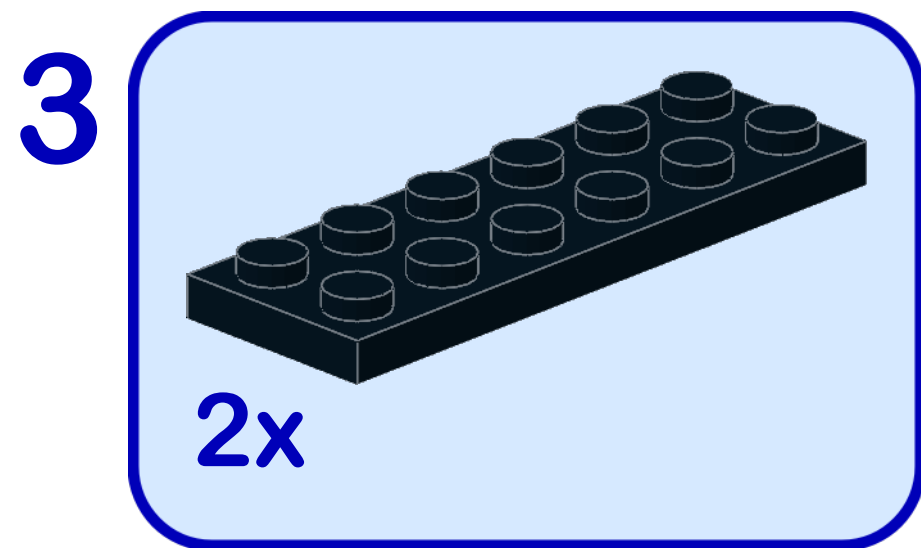
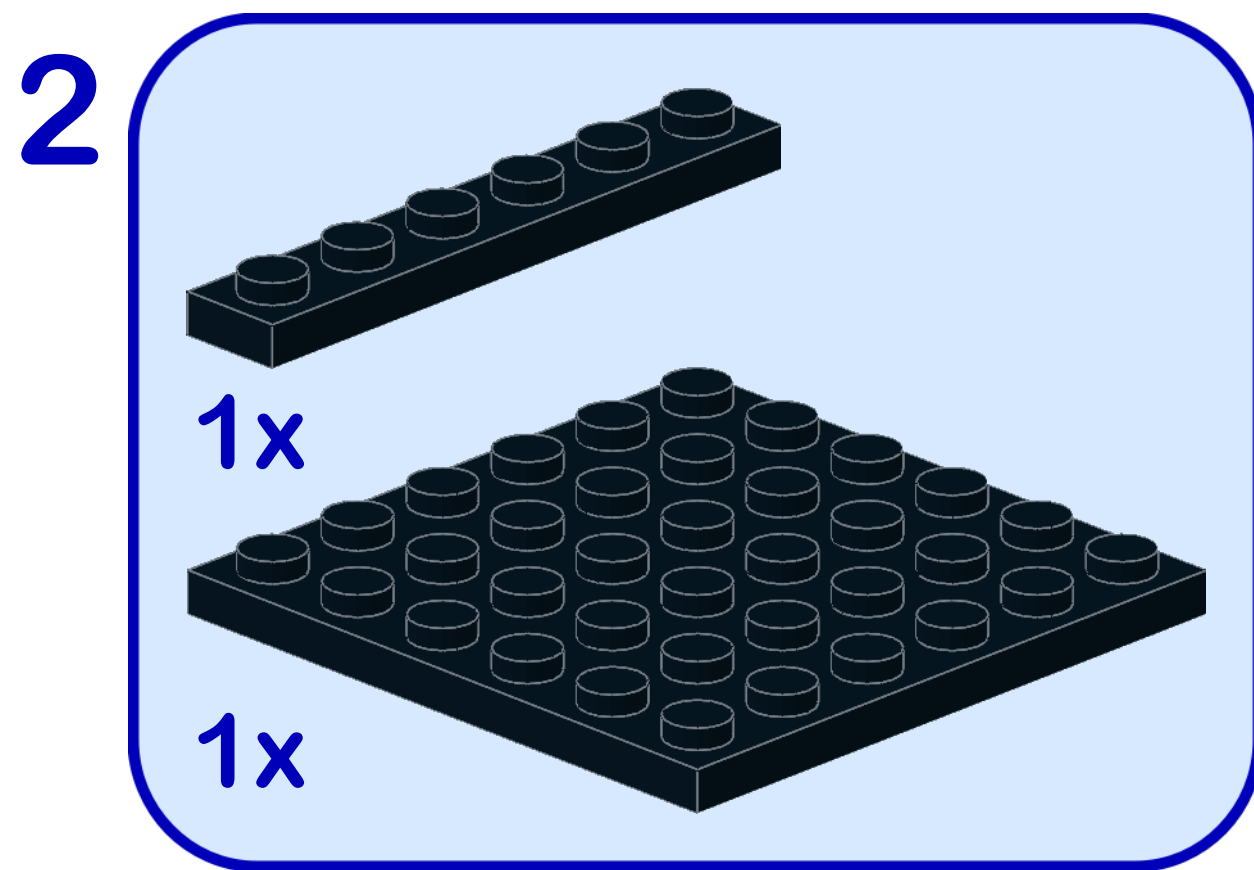
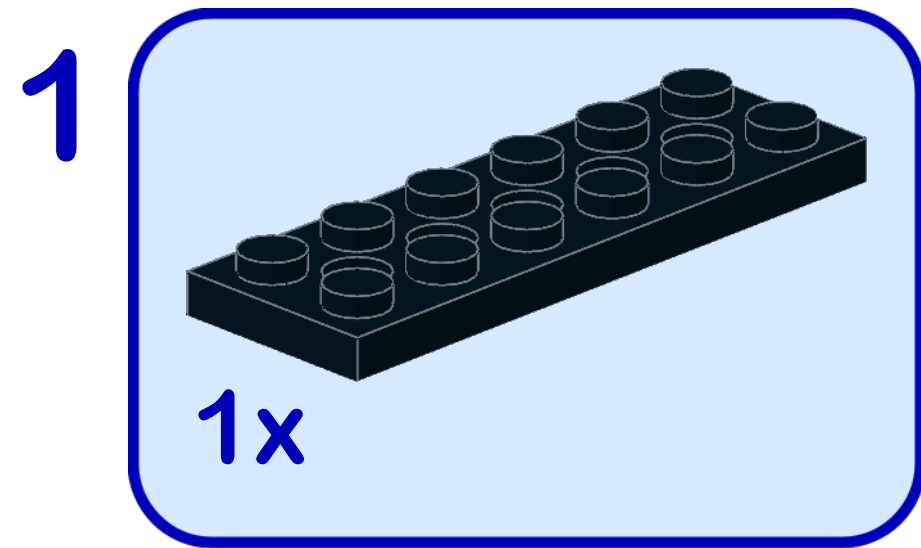


4

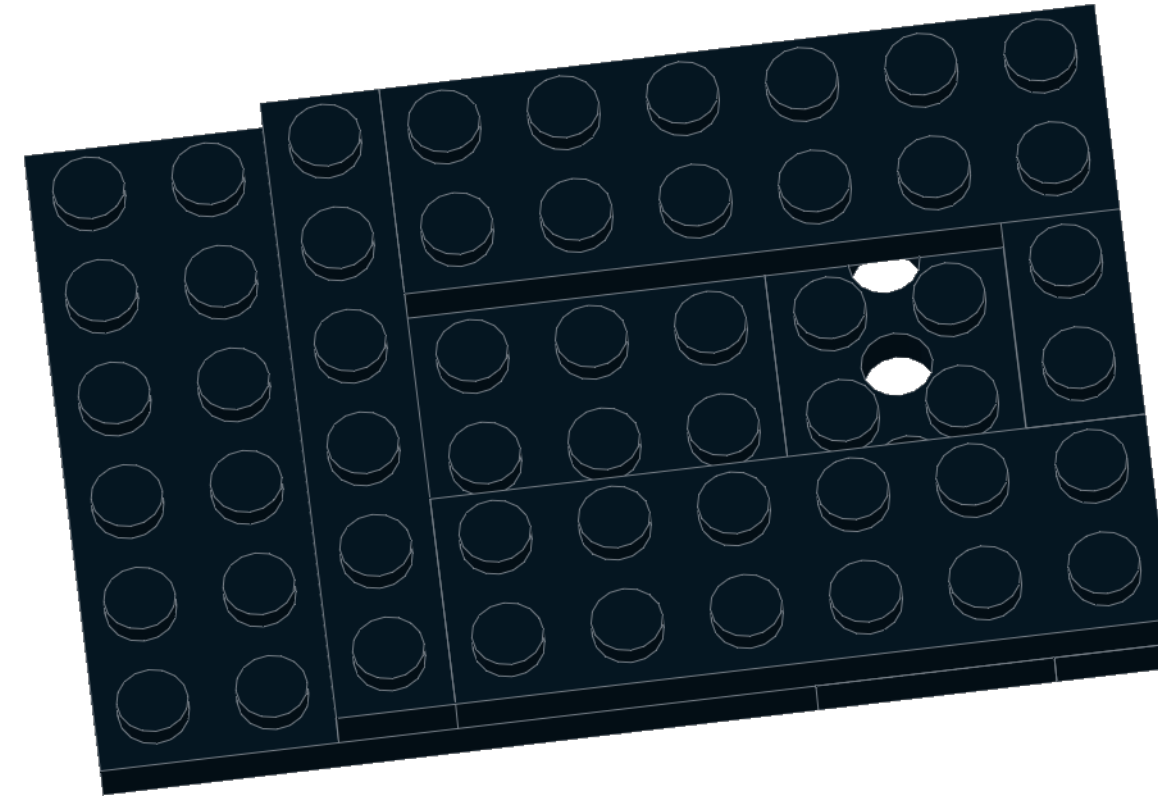
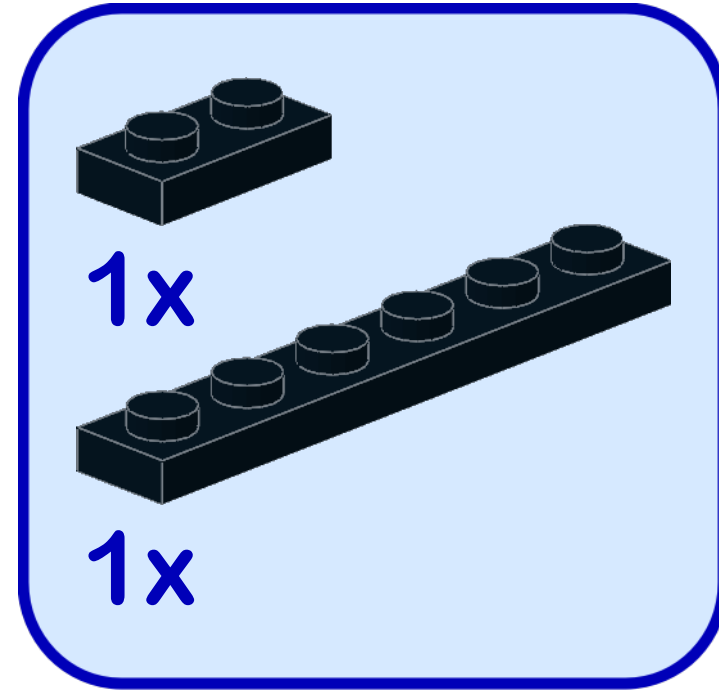


5

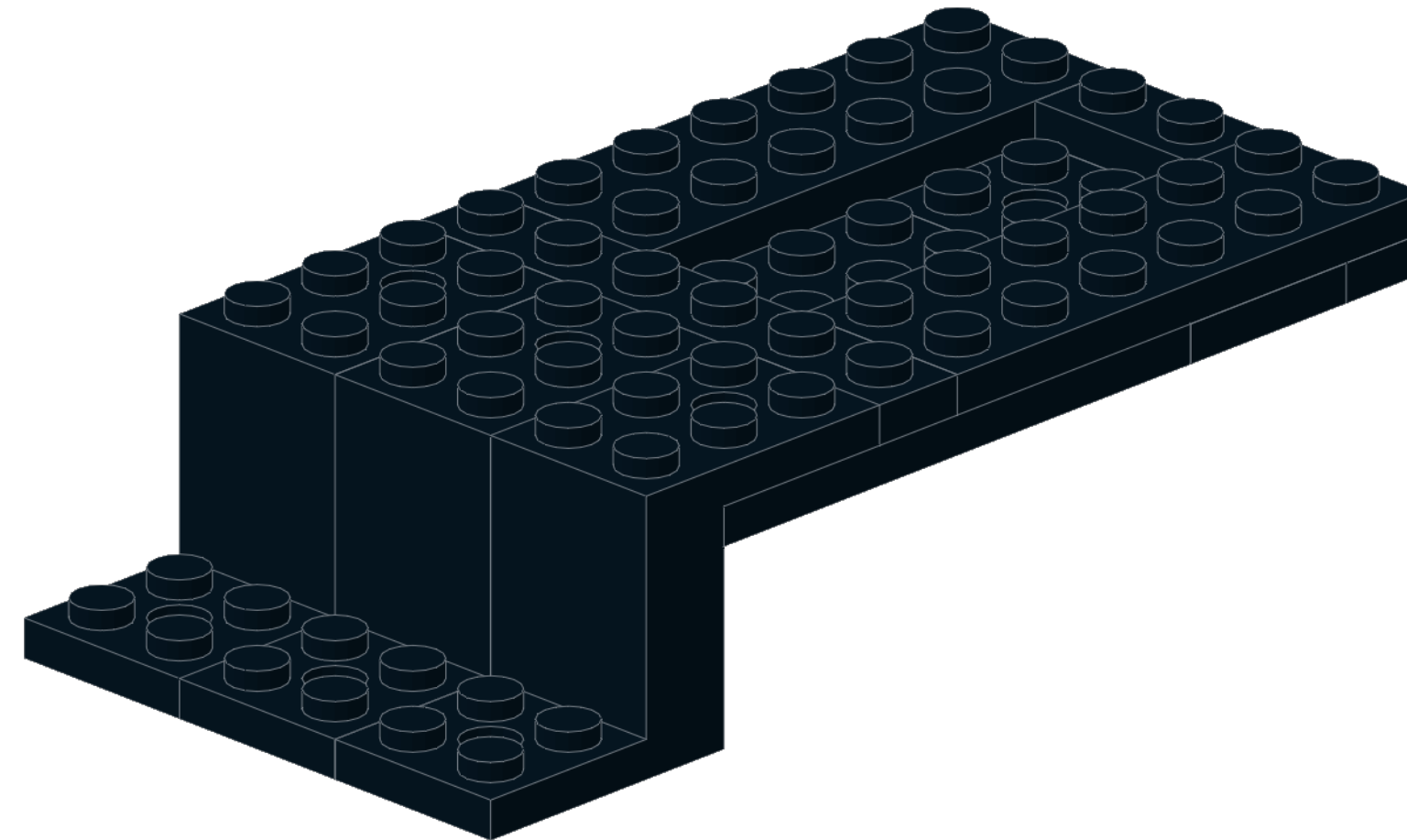
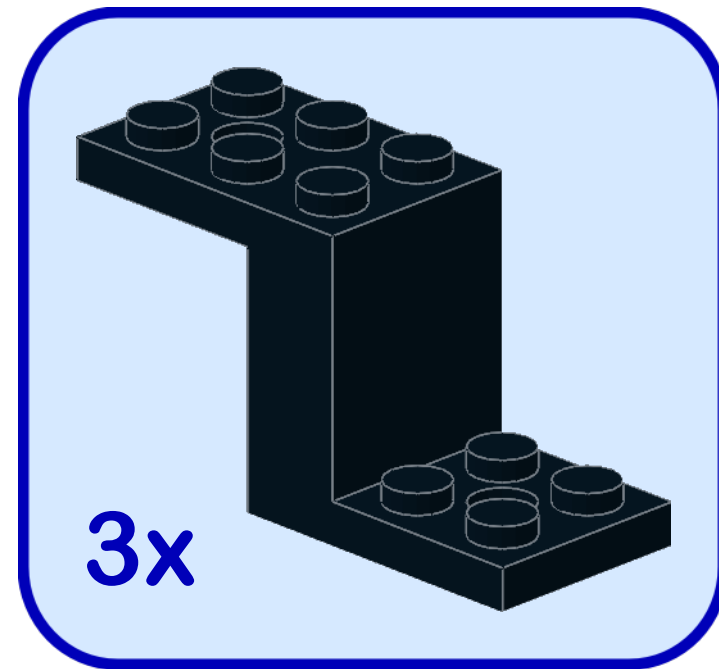




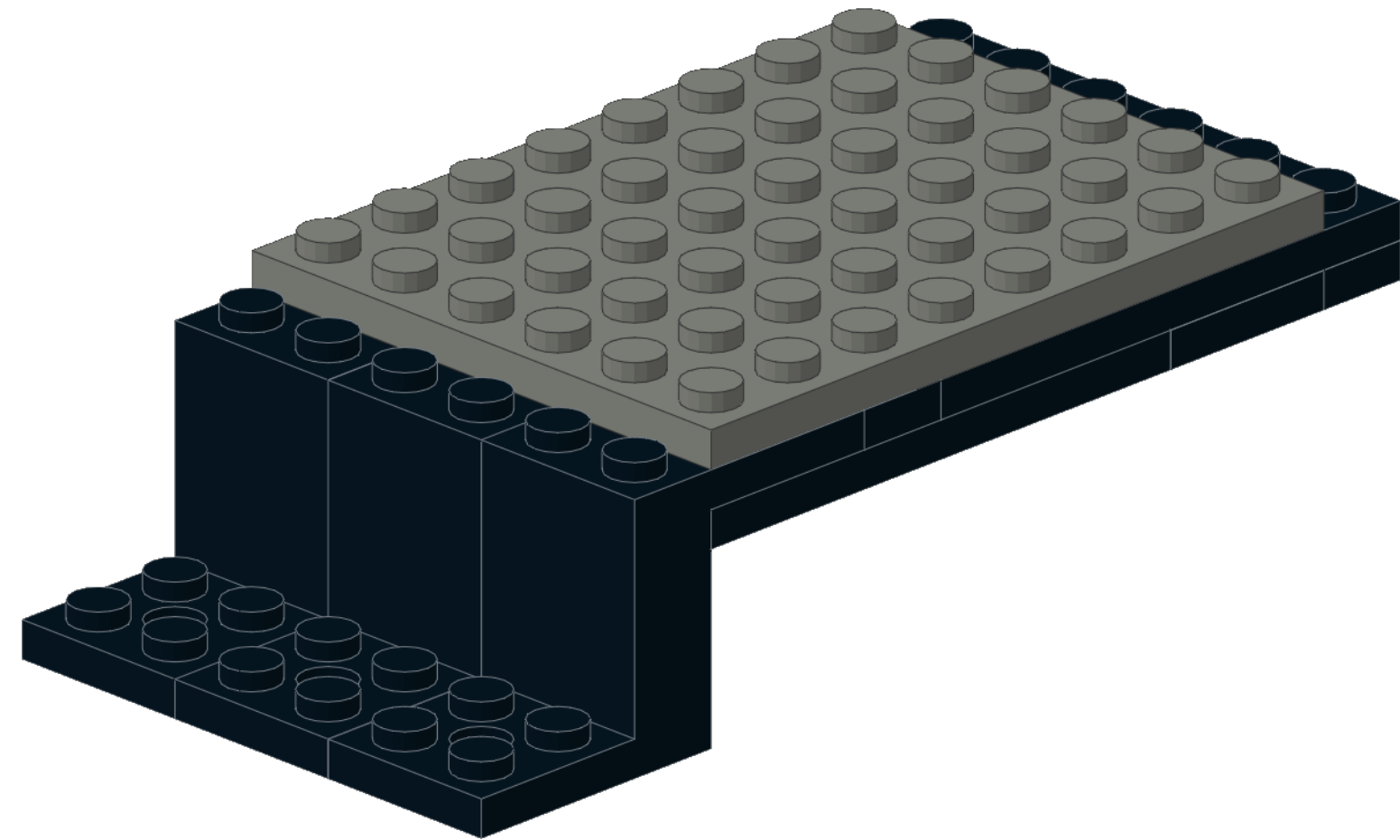
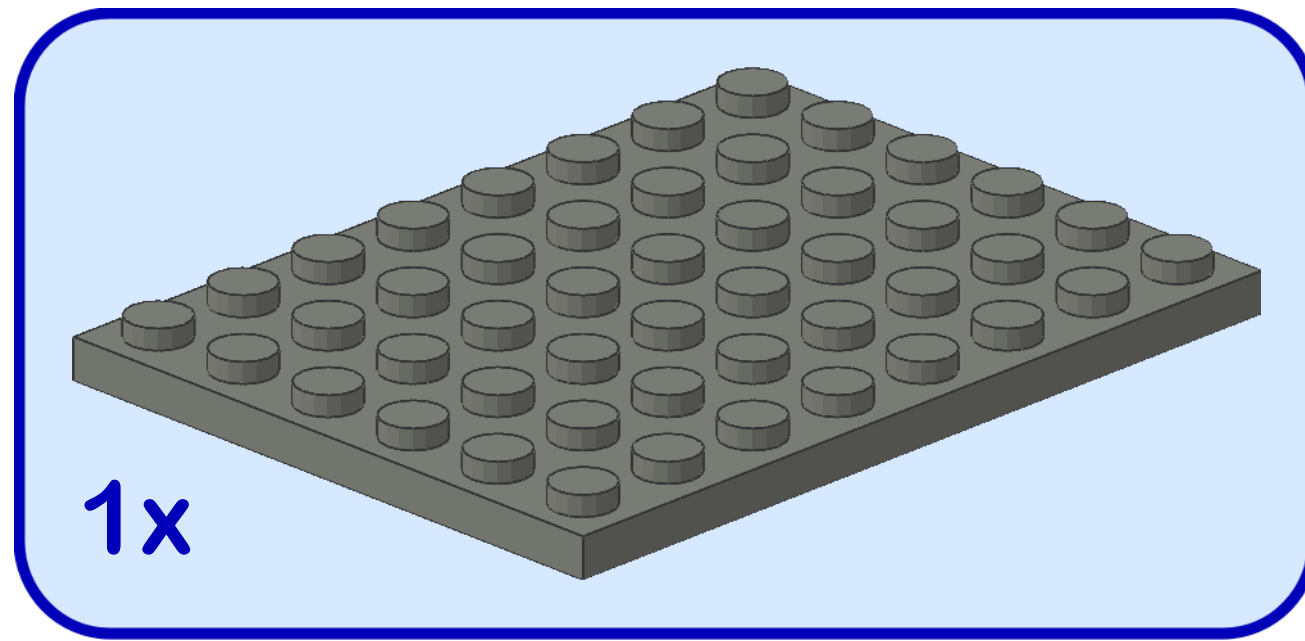
4



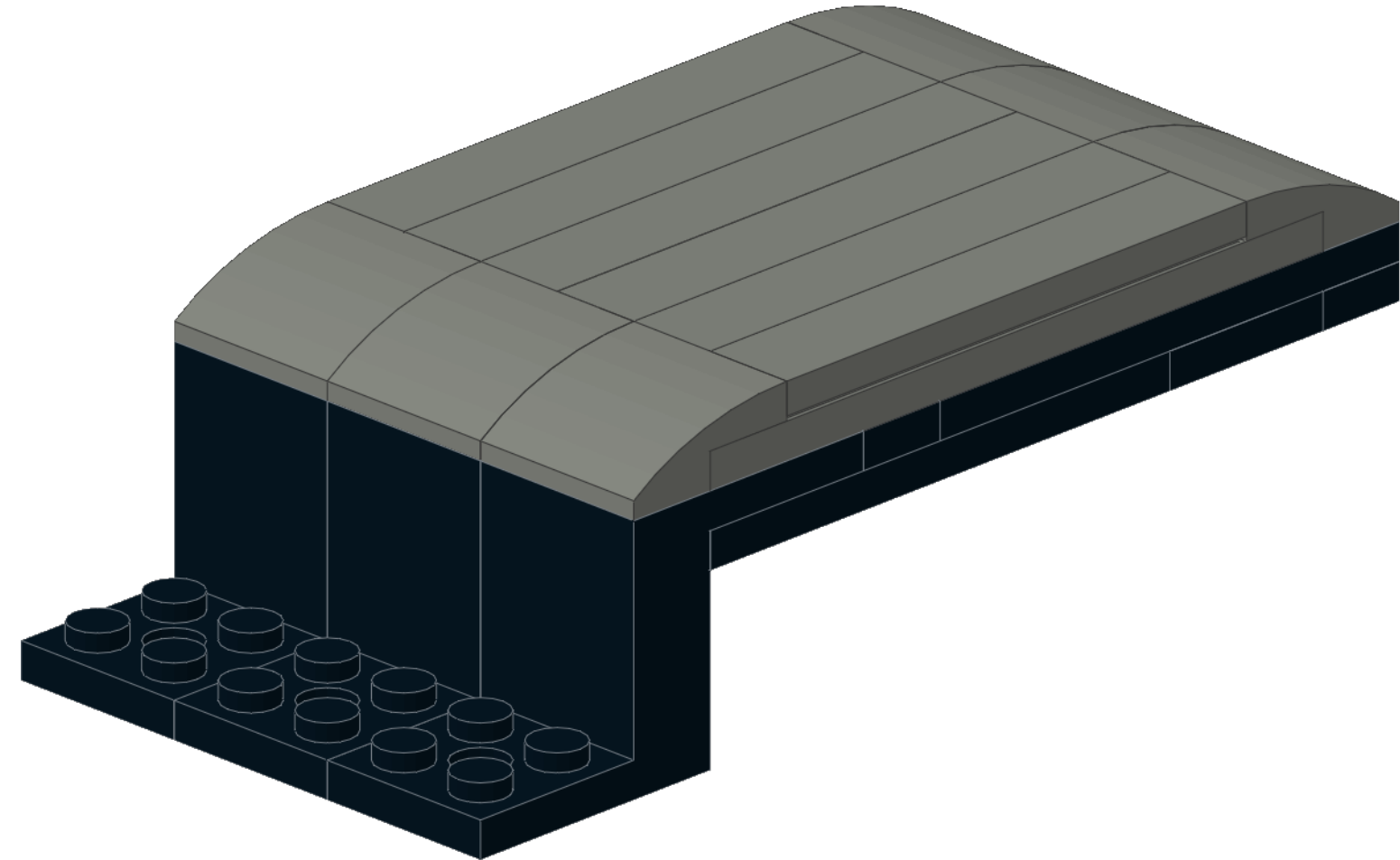
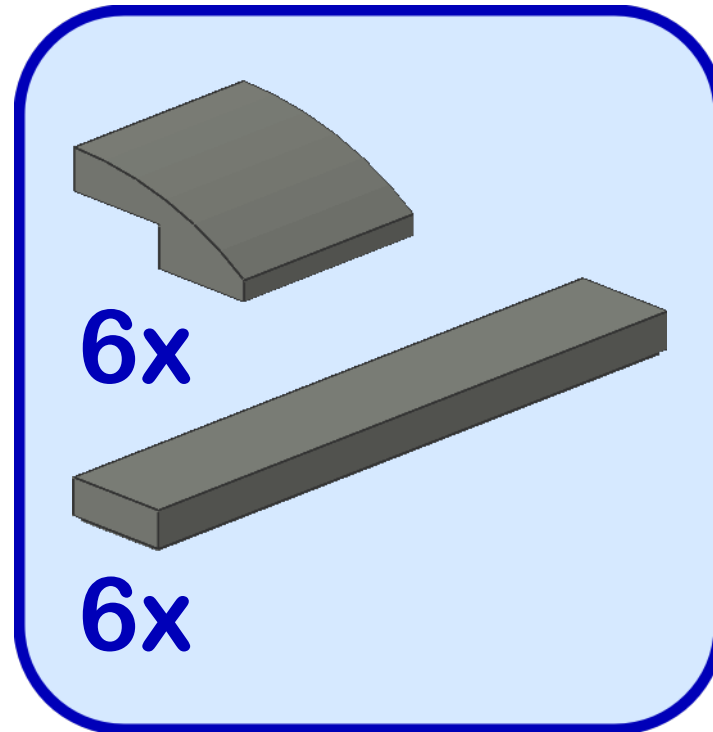
5



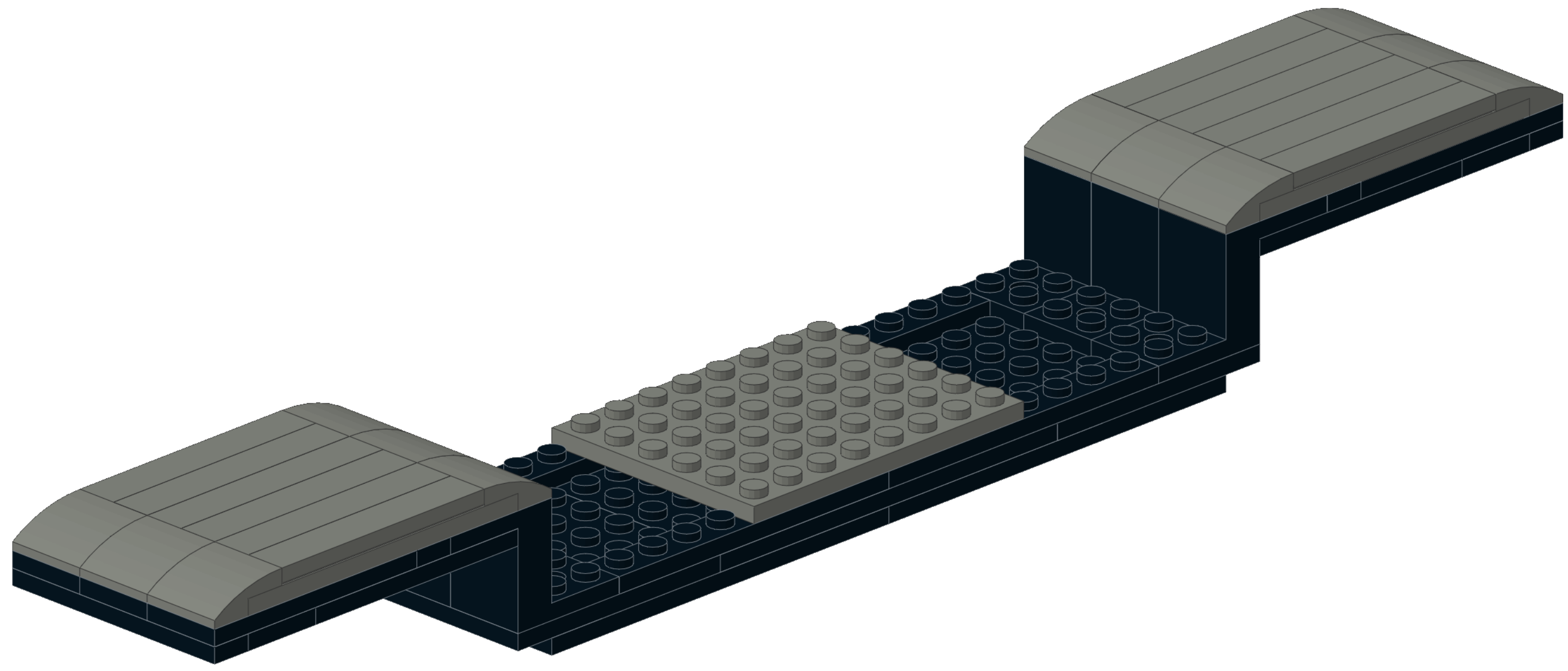
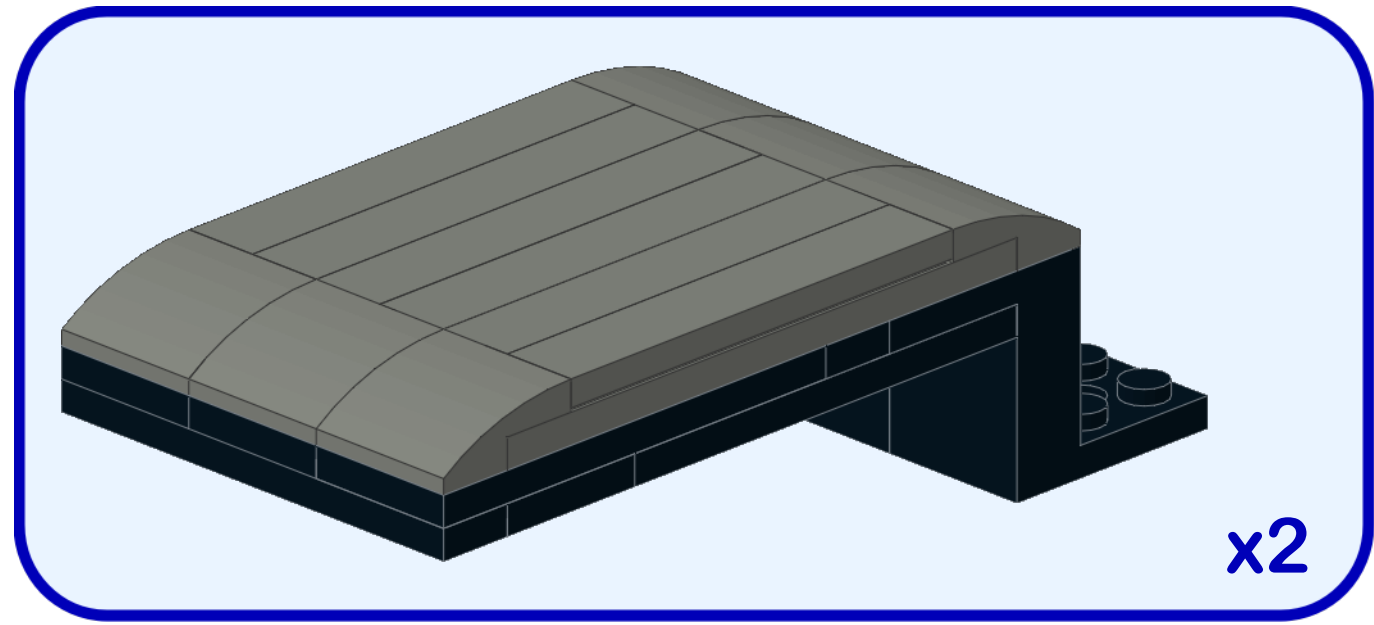
6



7

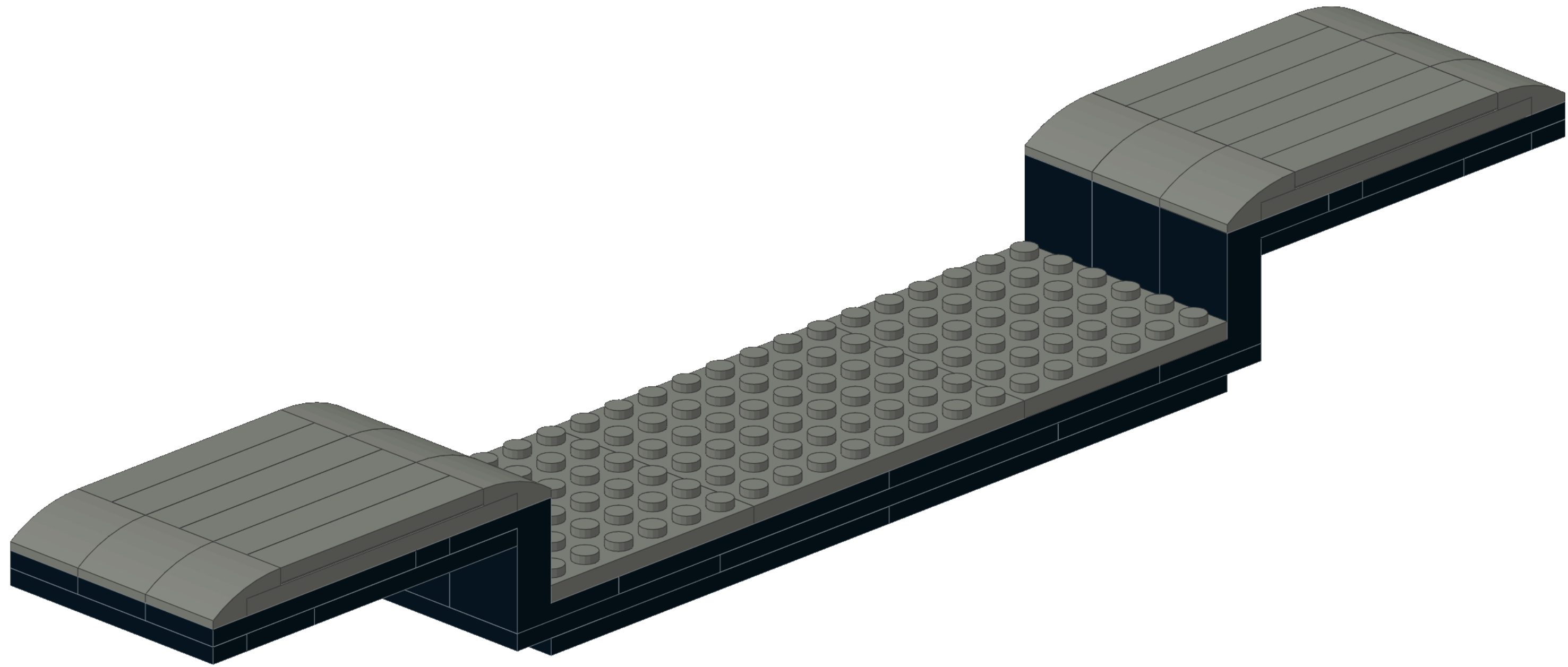
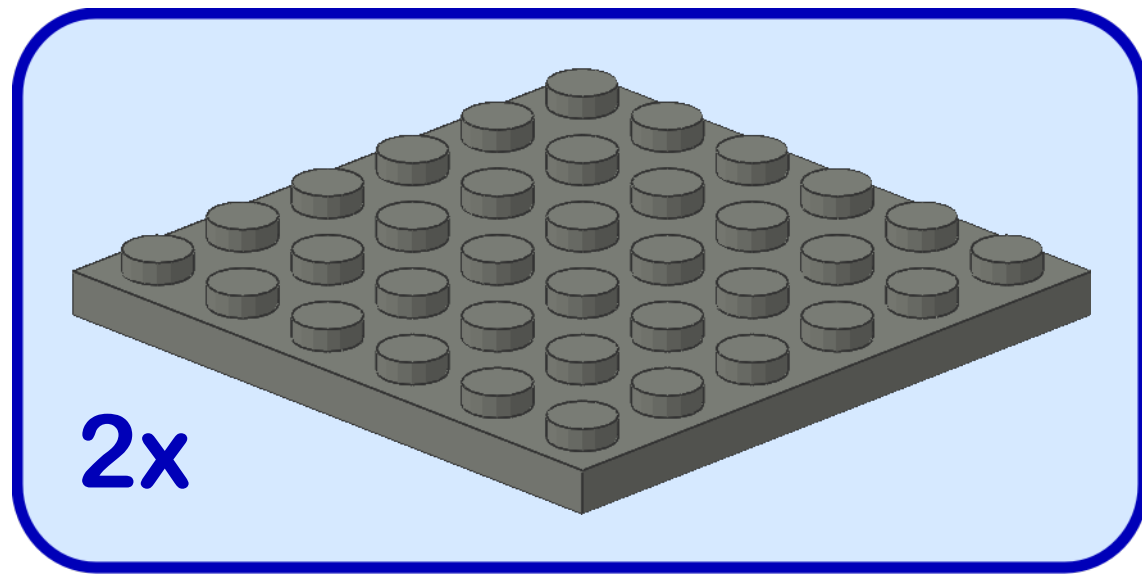


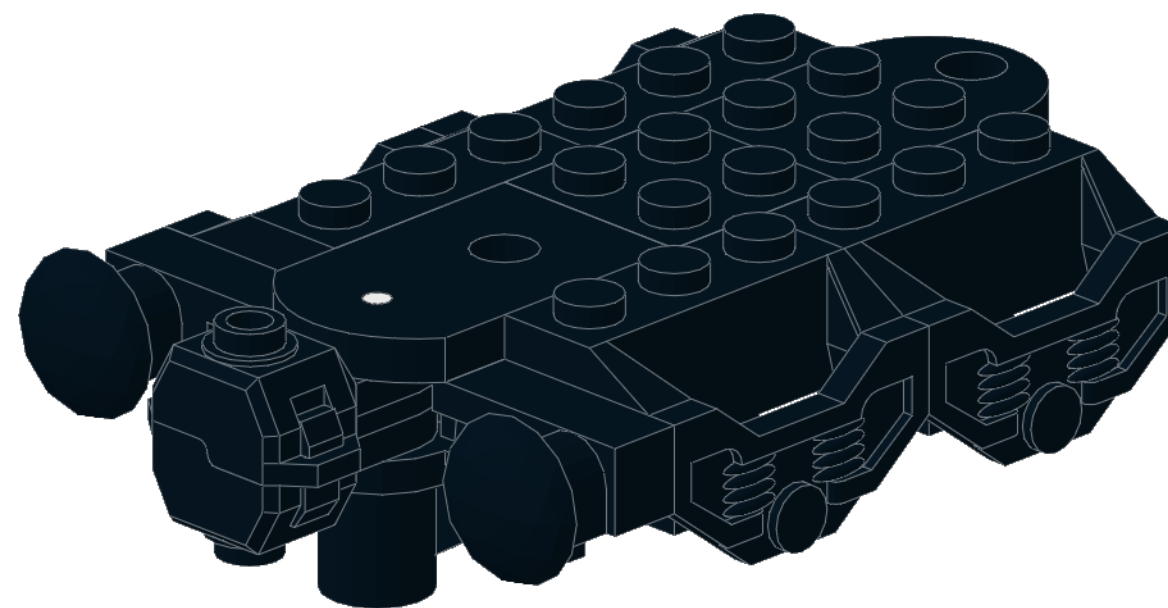
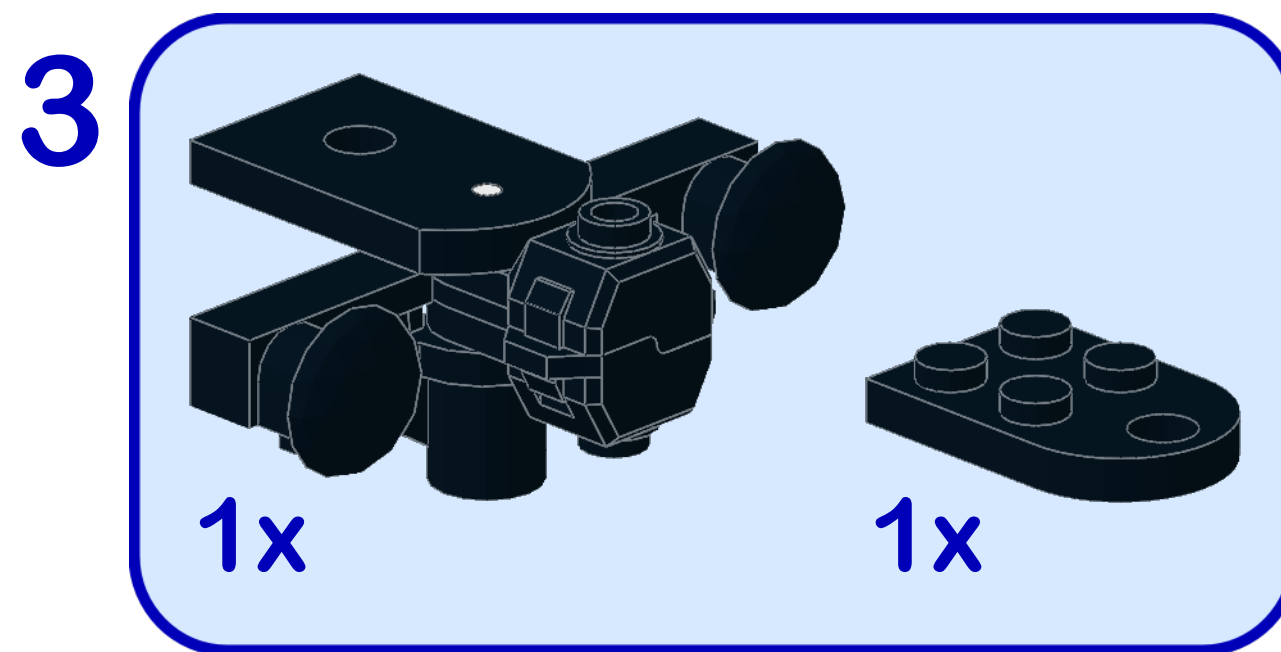
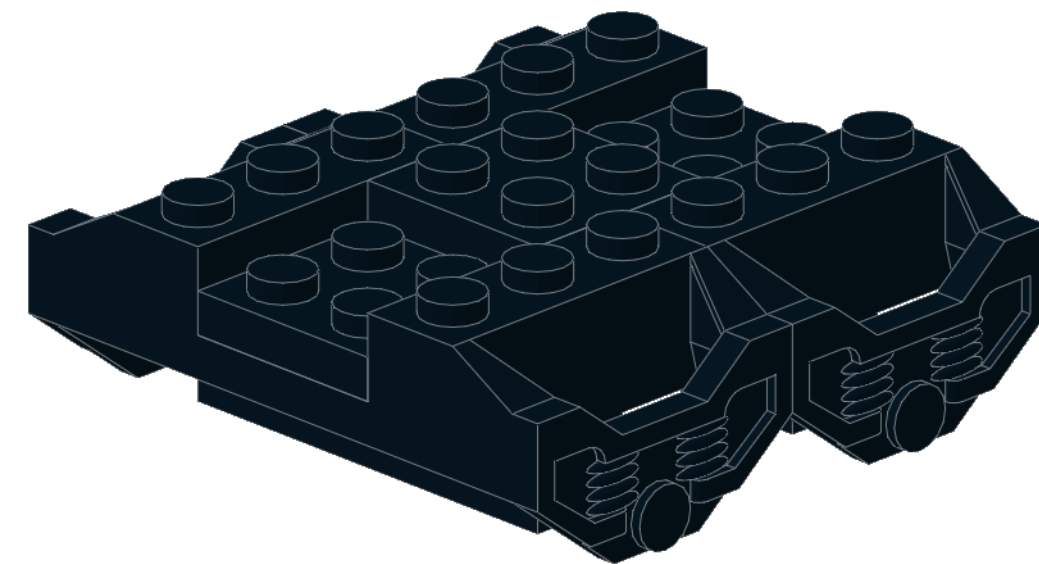
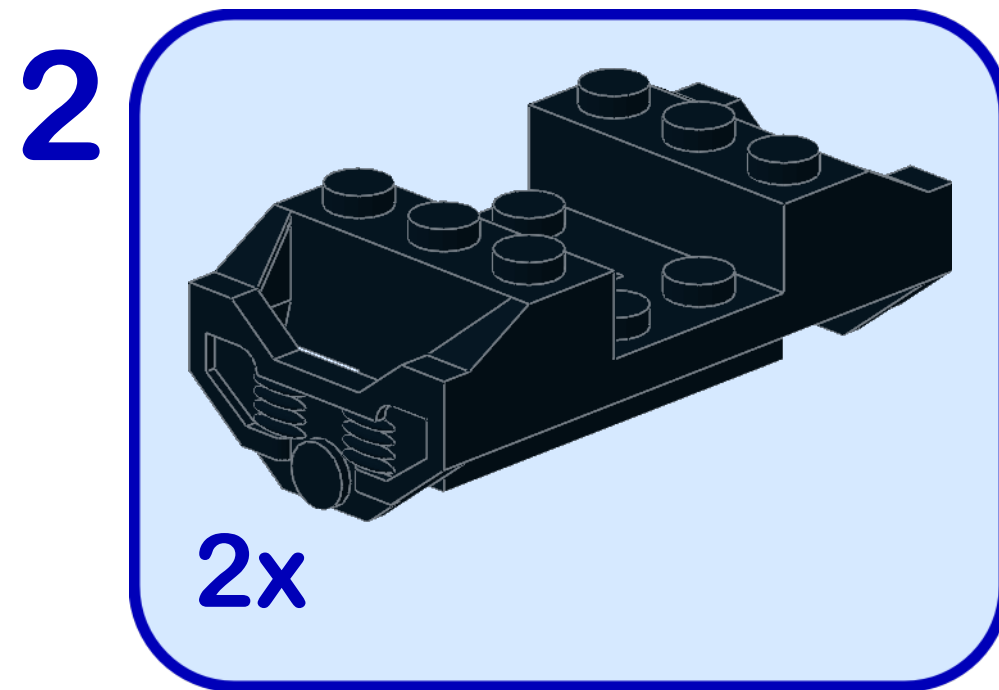
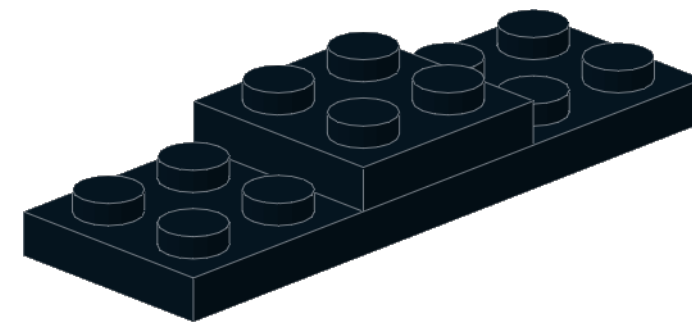
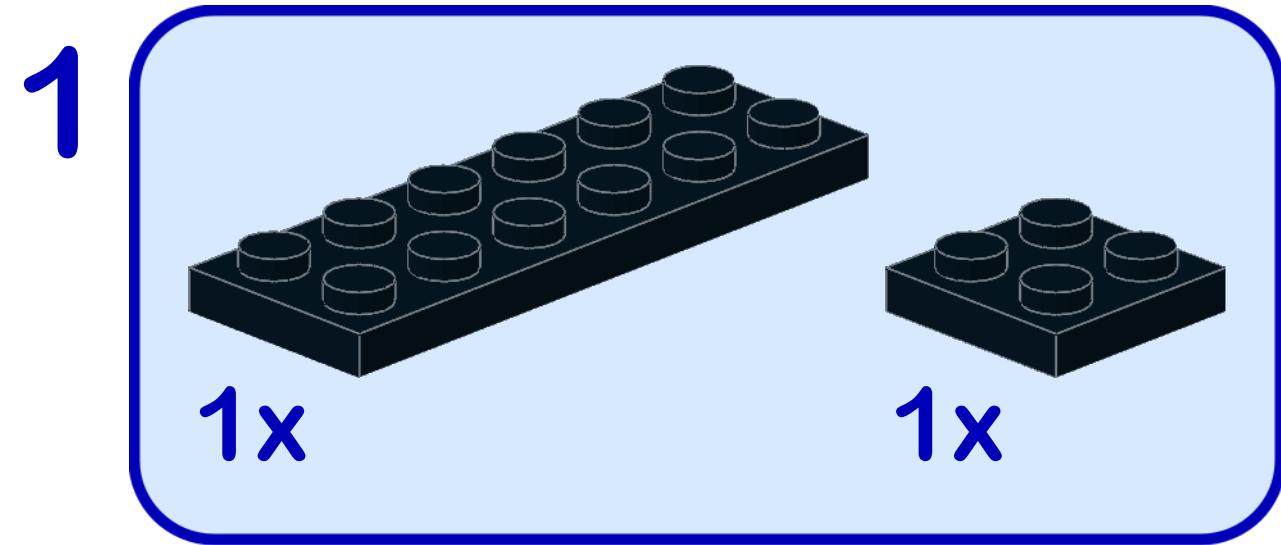
x2

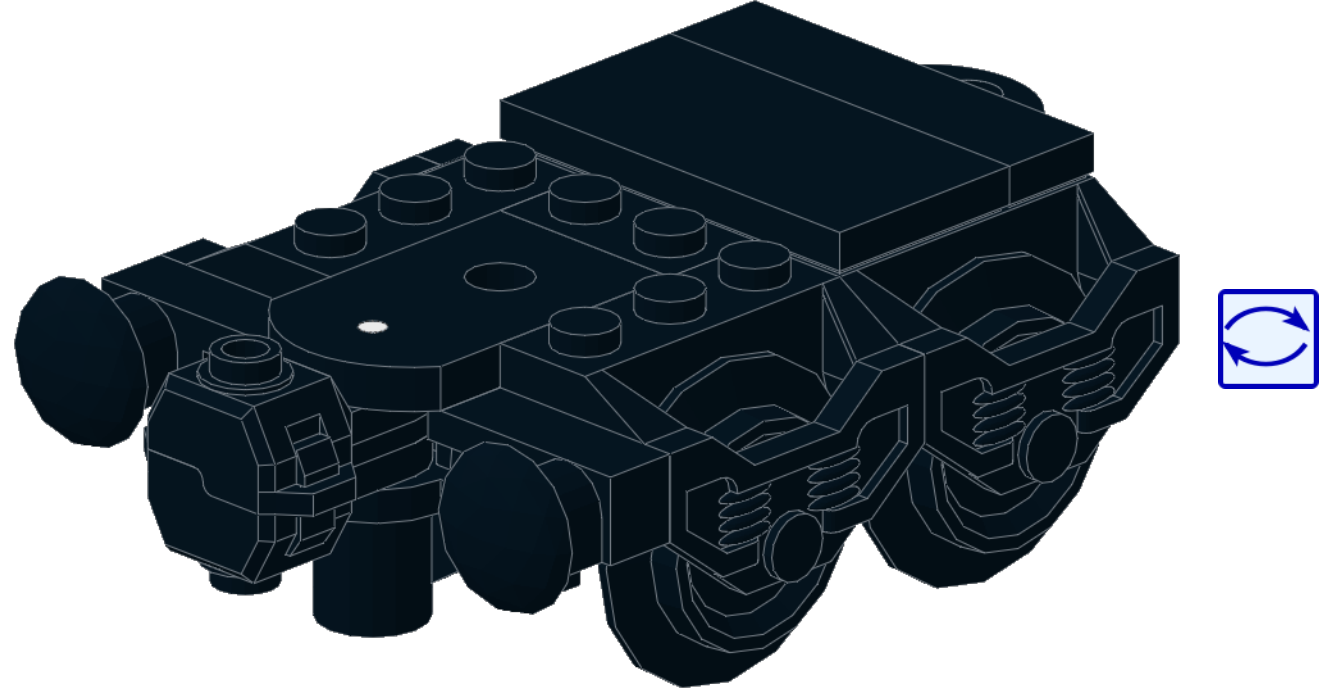
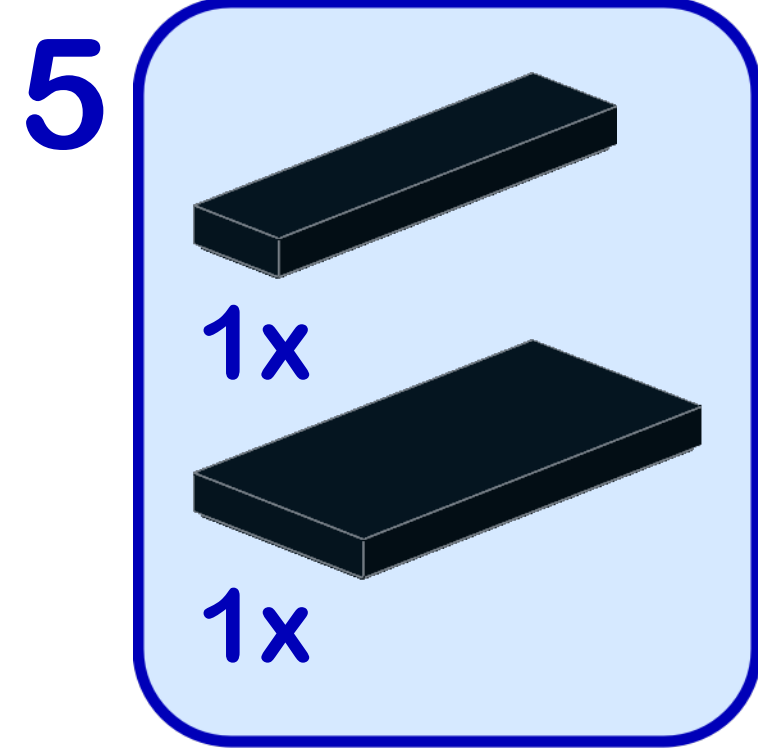
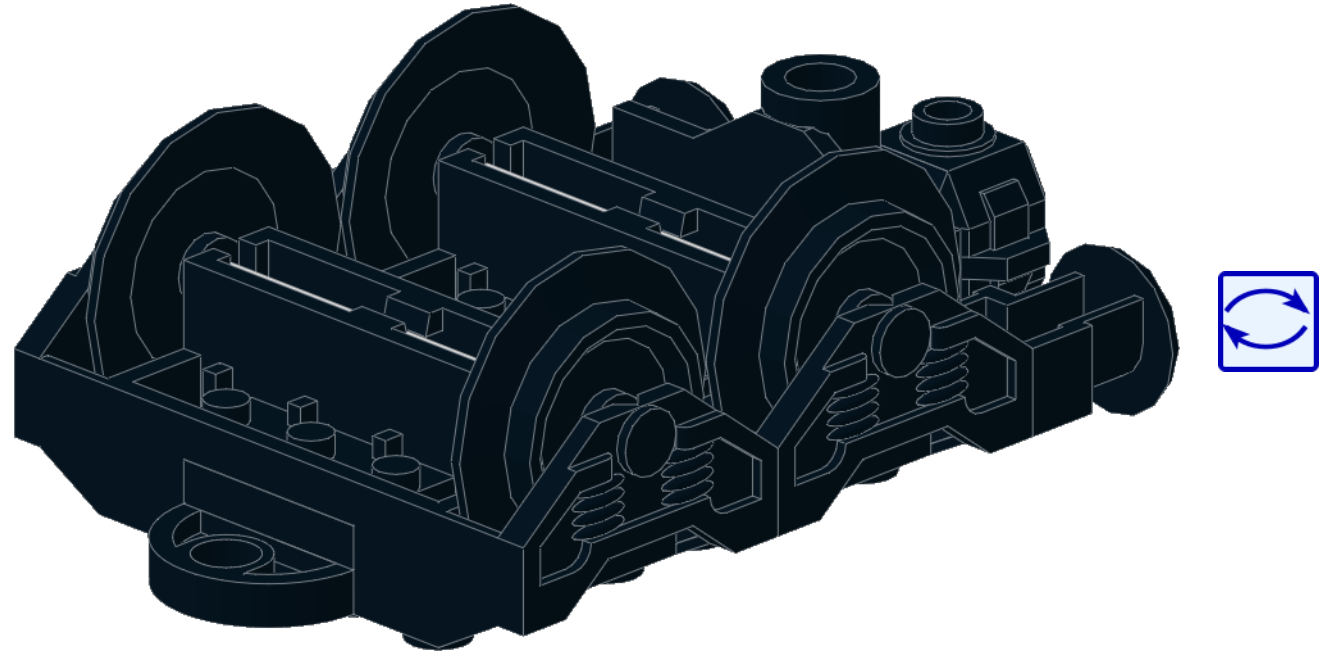
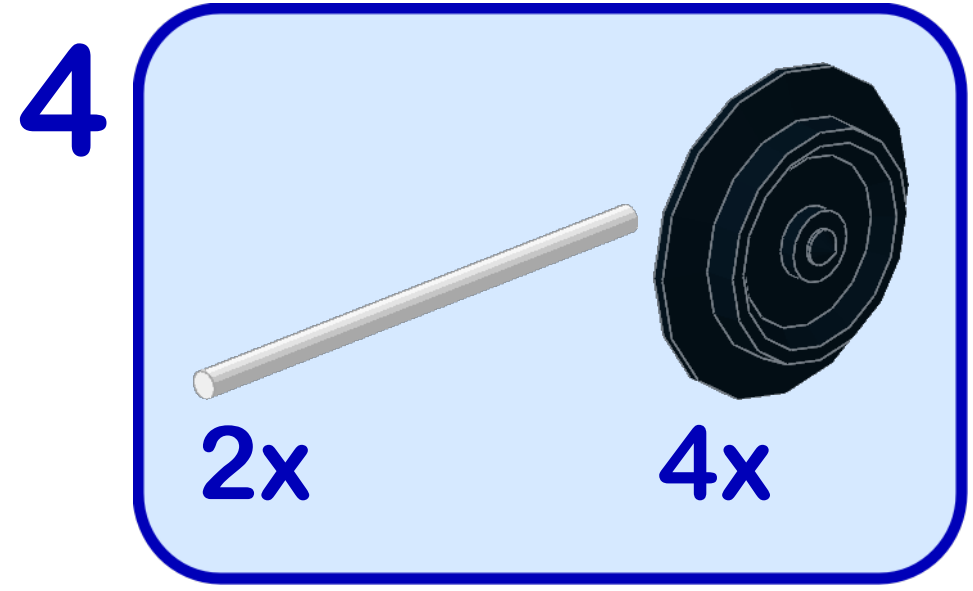
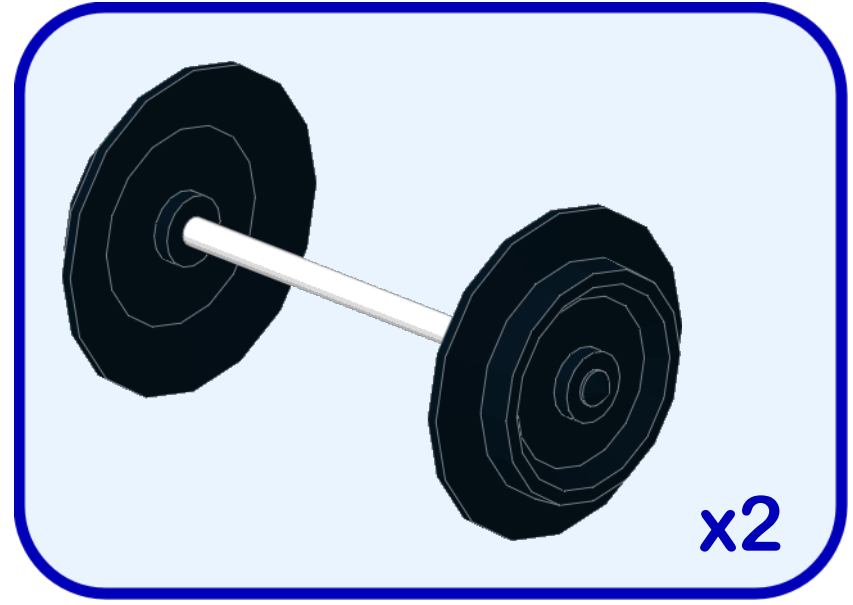


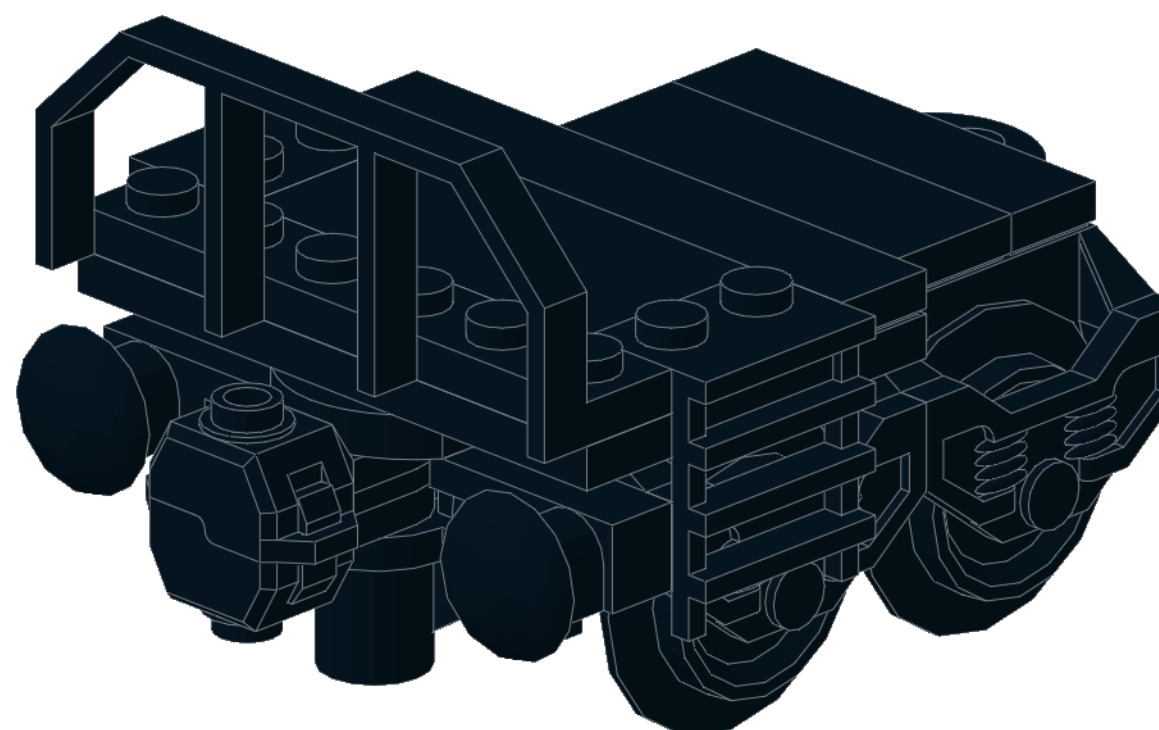
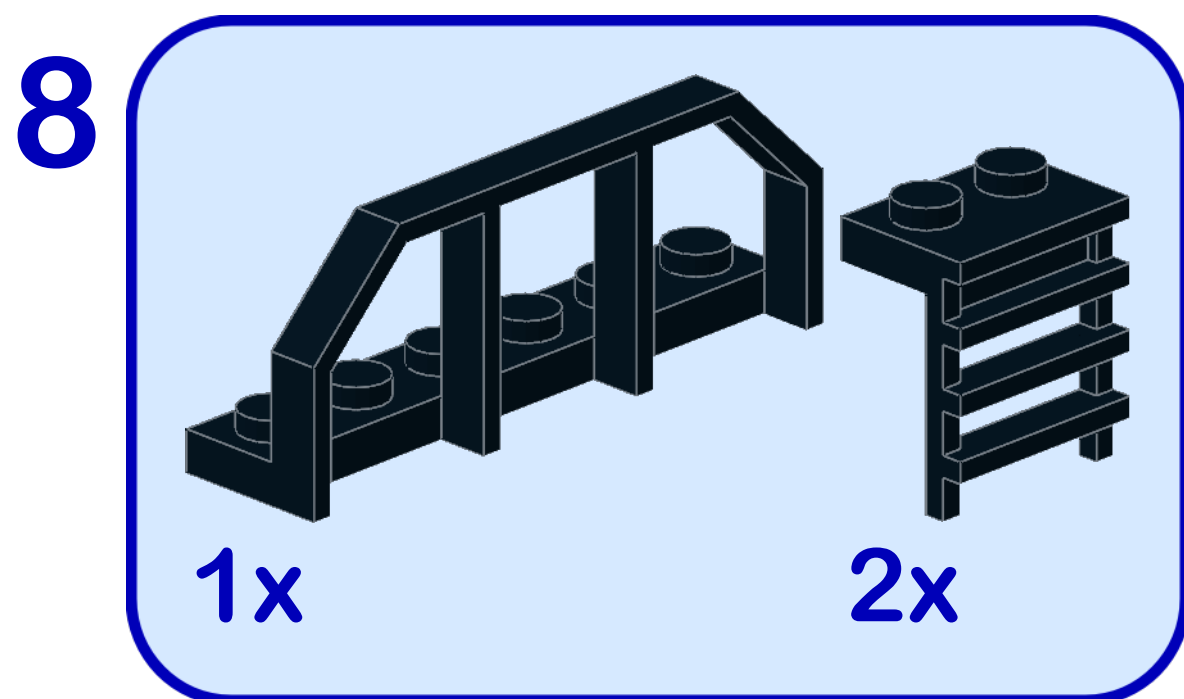
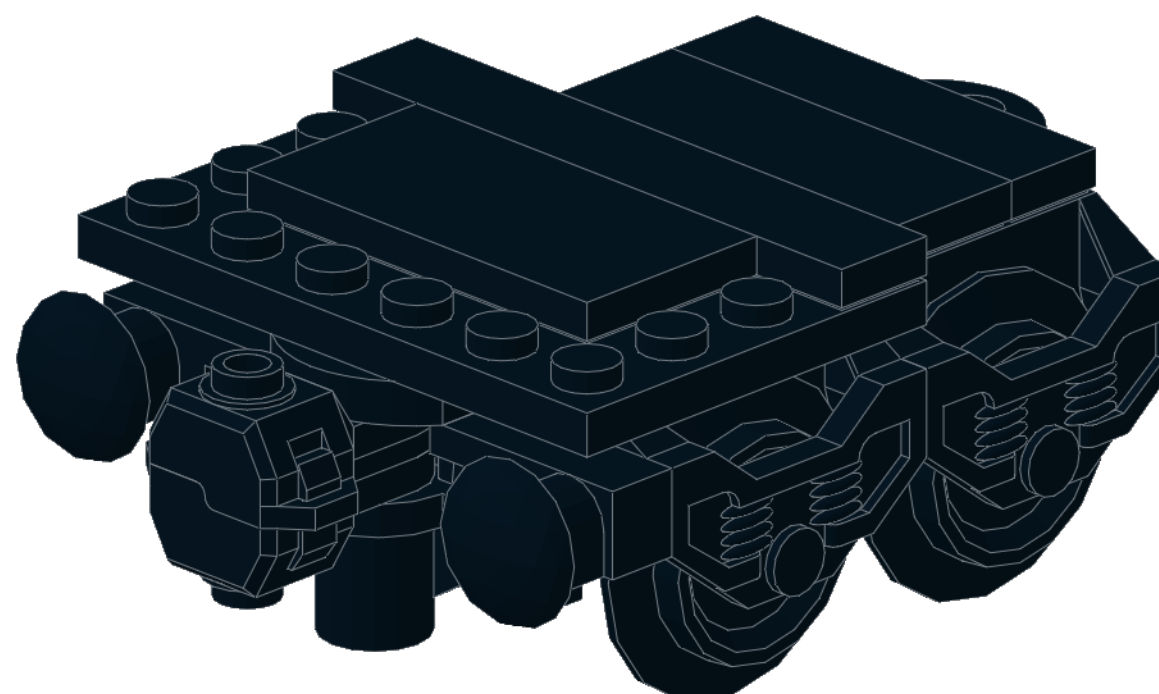
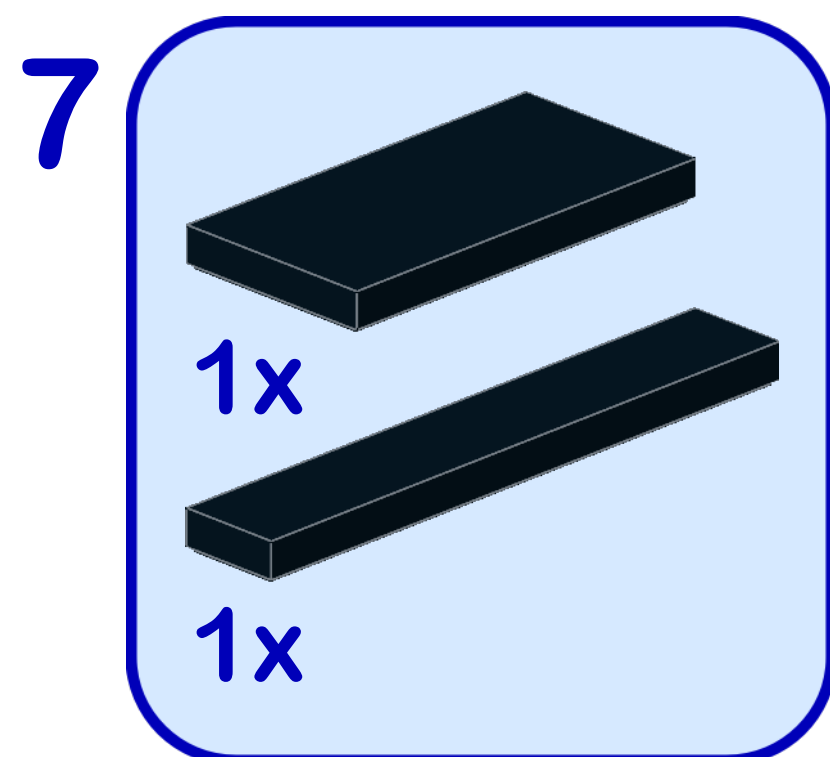
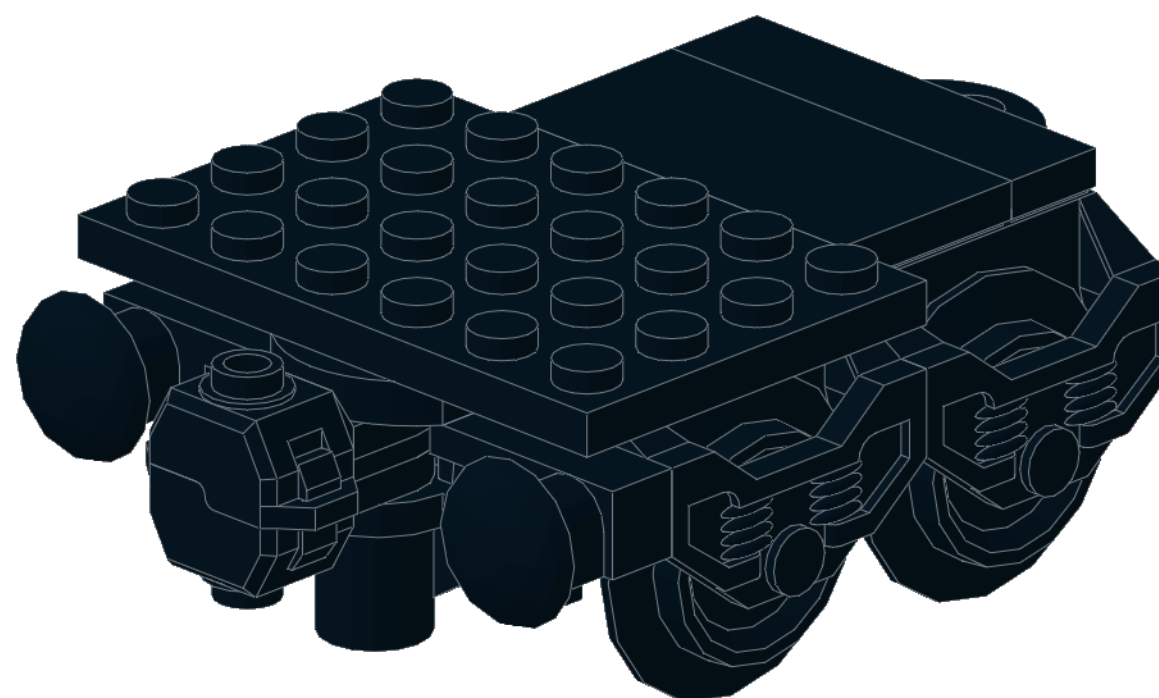
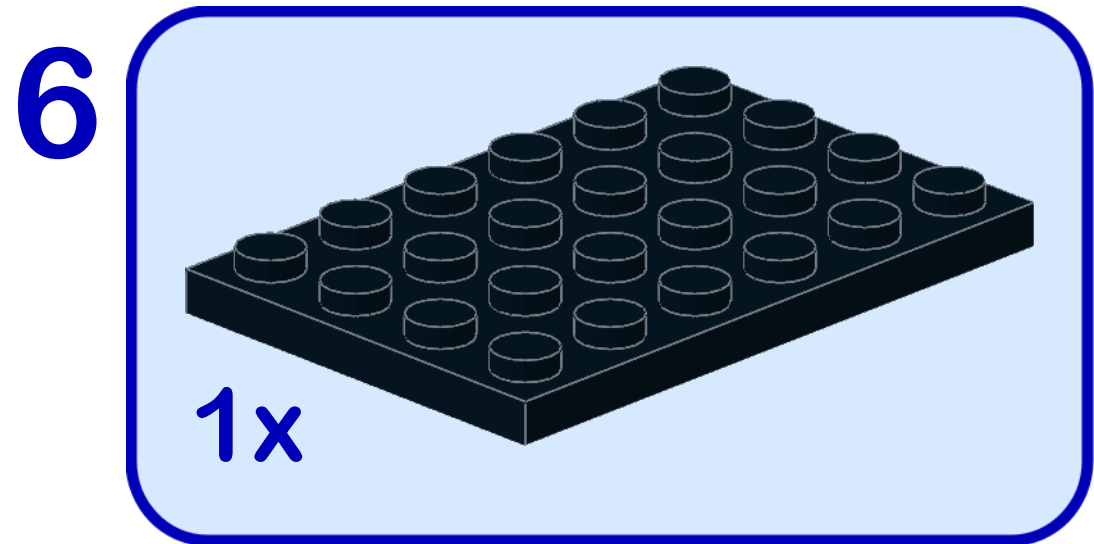


7

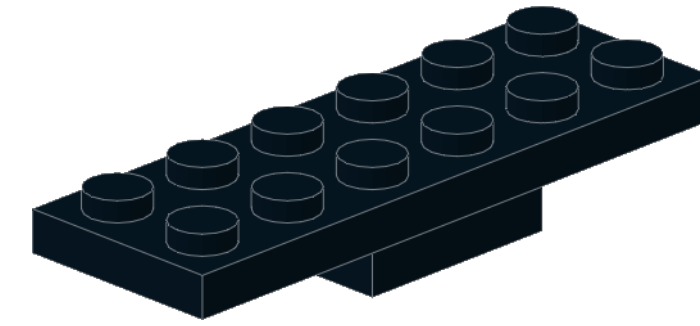
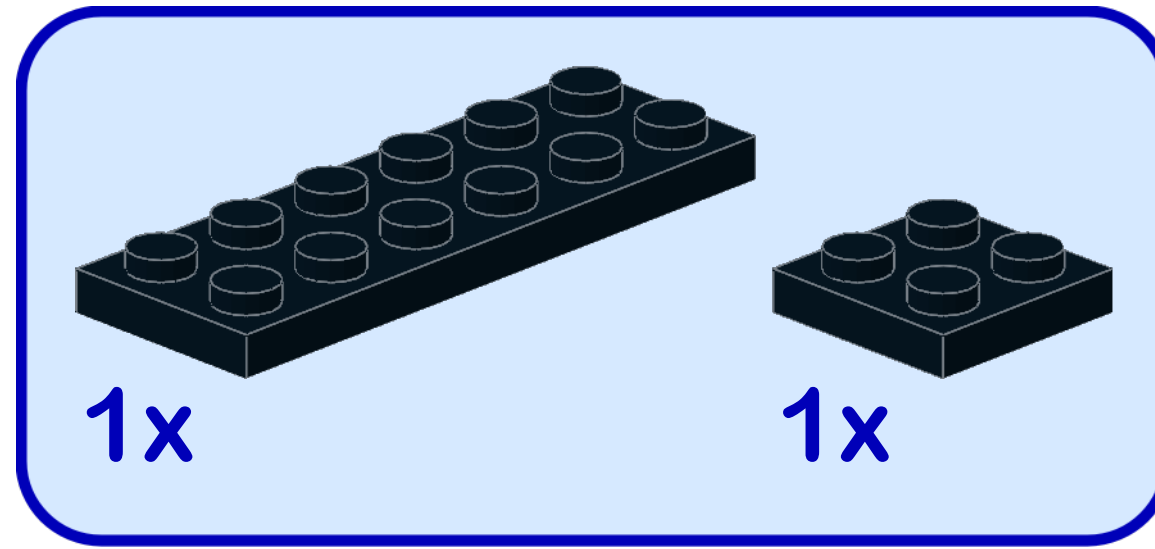




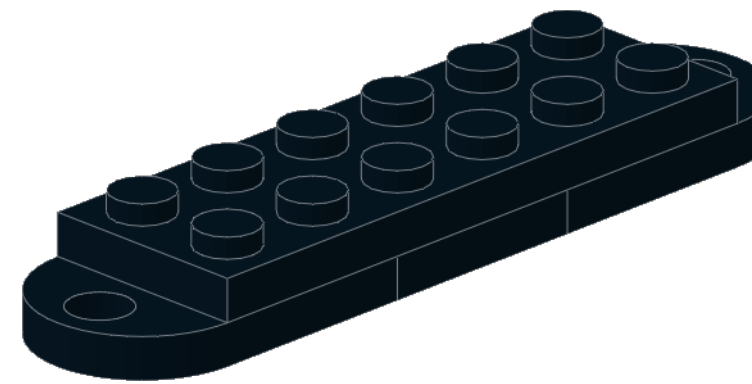
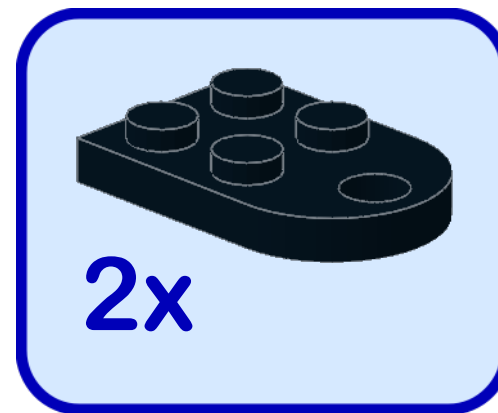




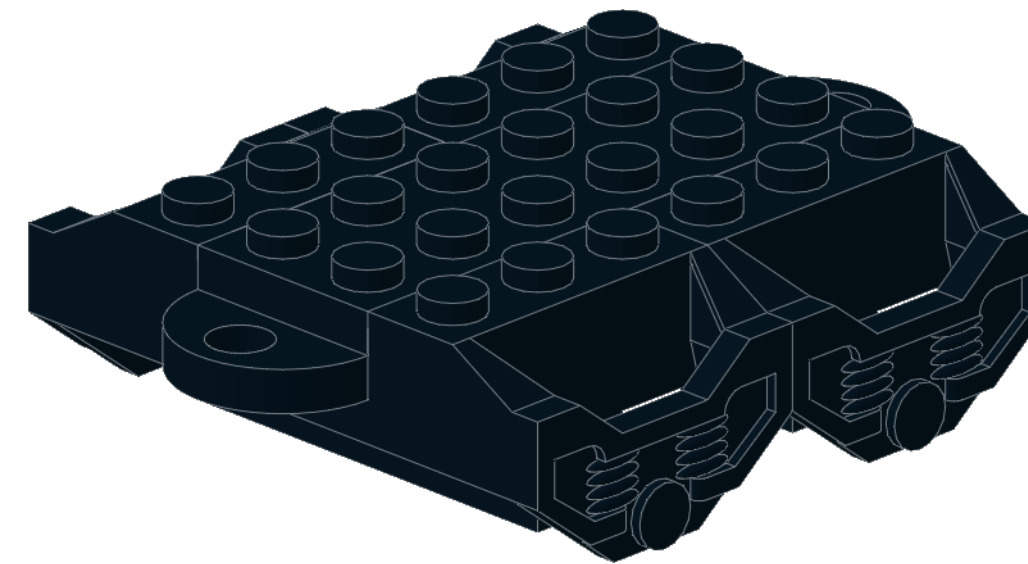
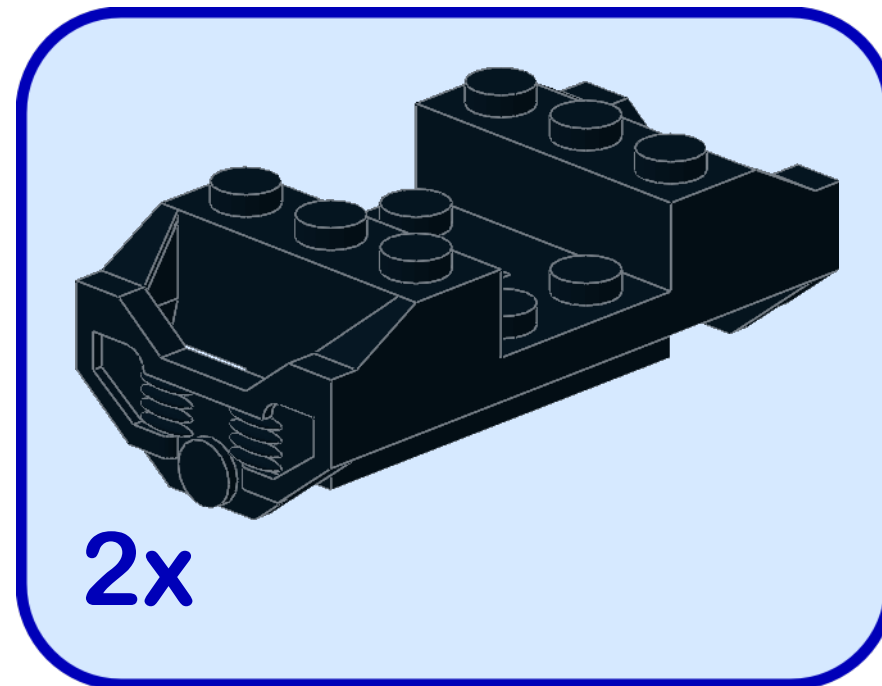
1

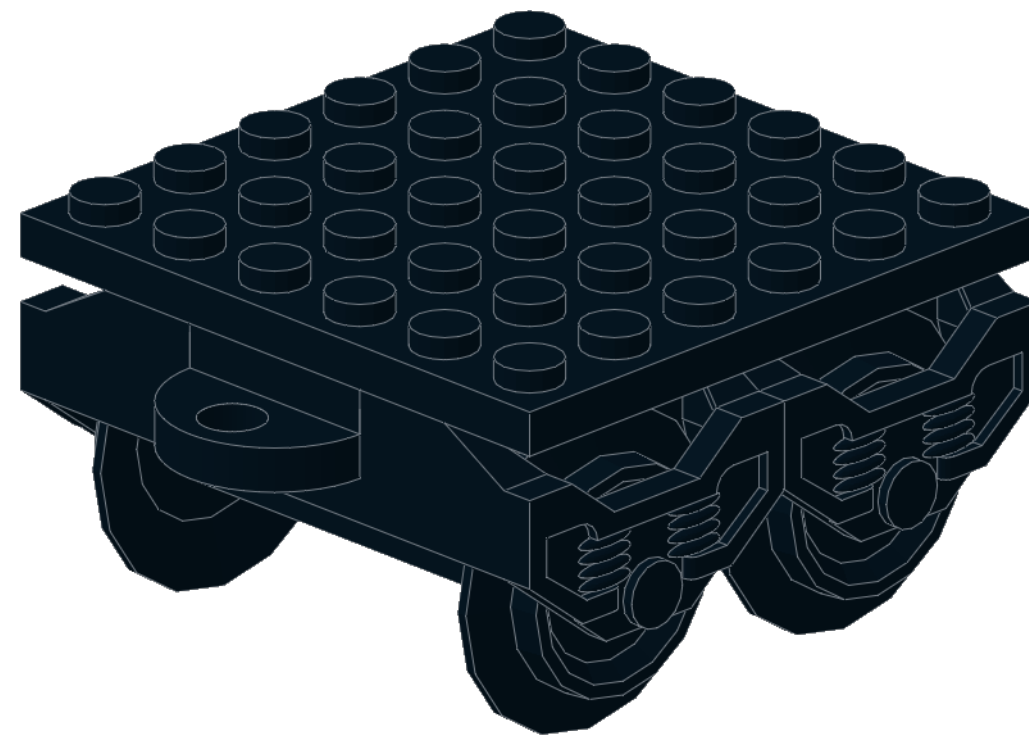
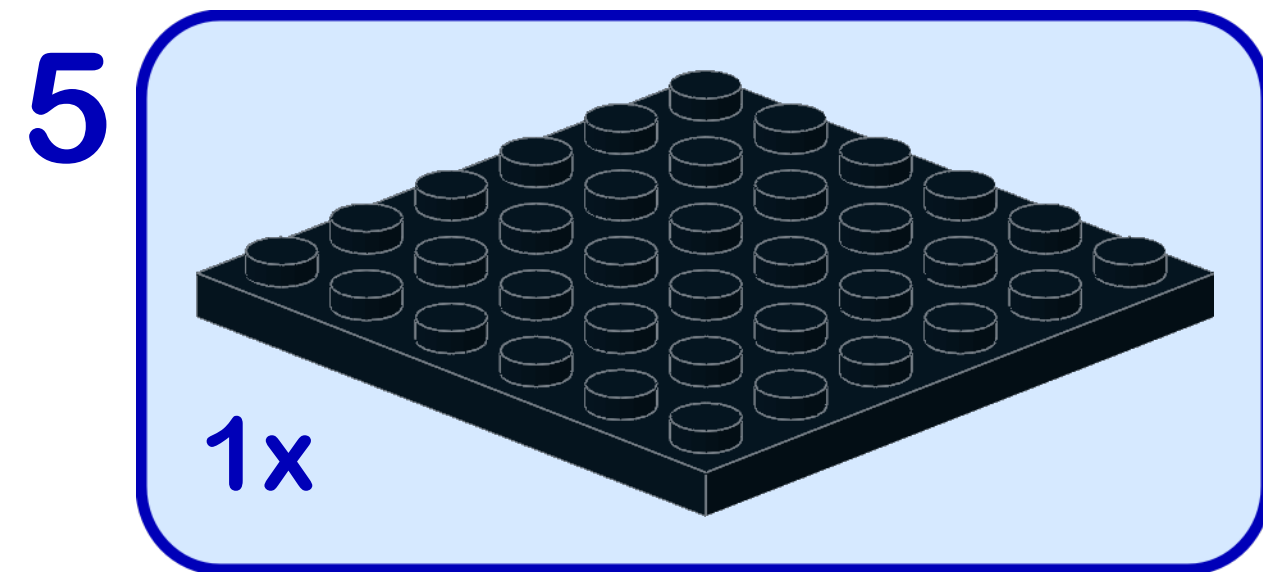
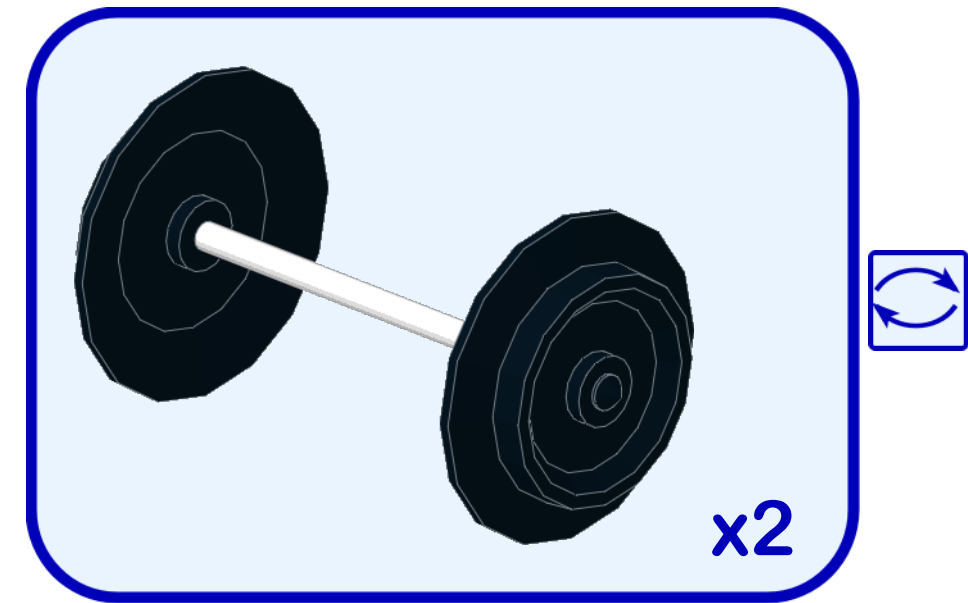
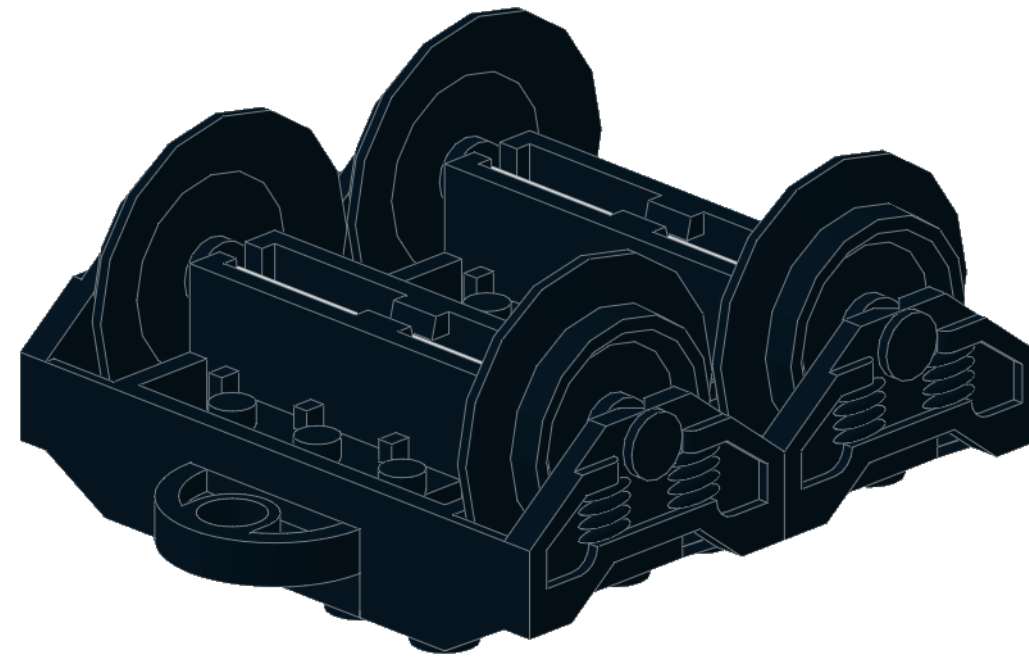
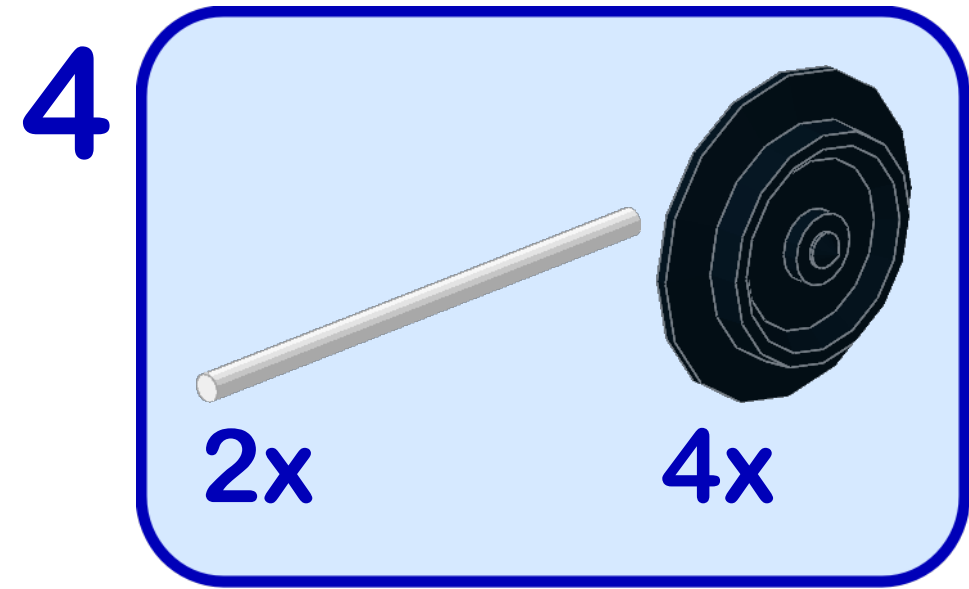


2

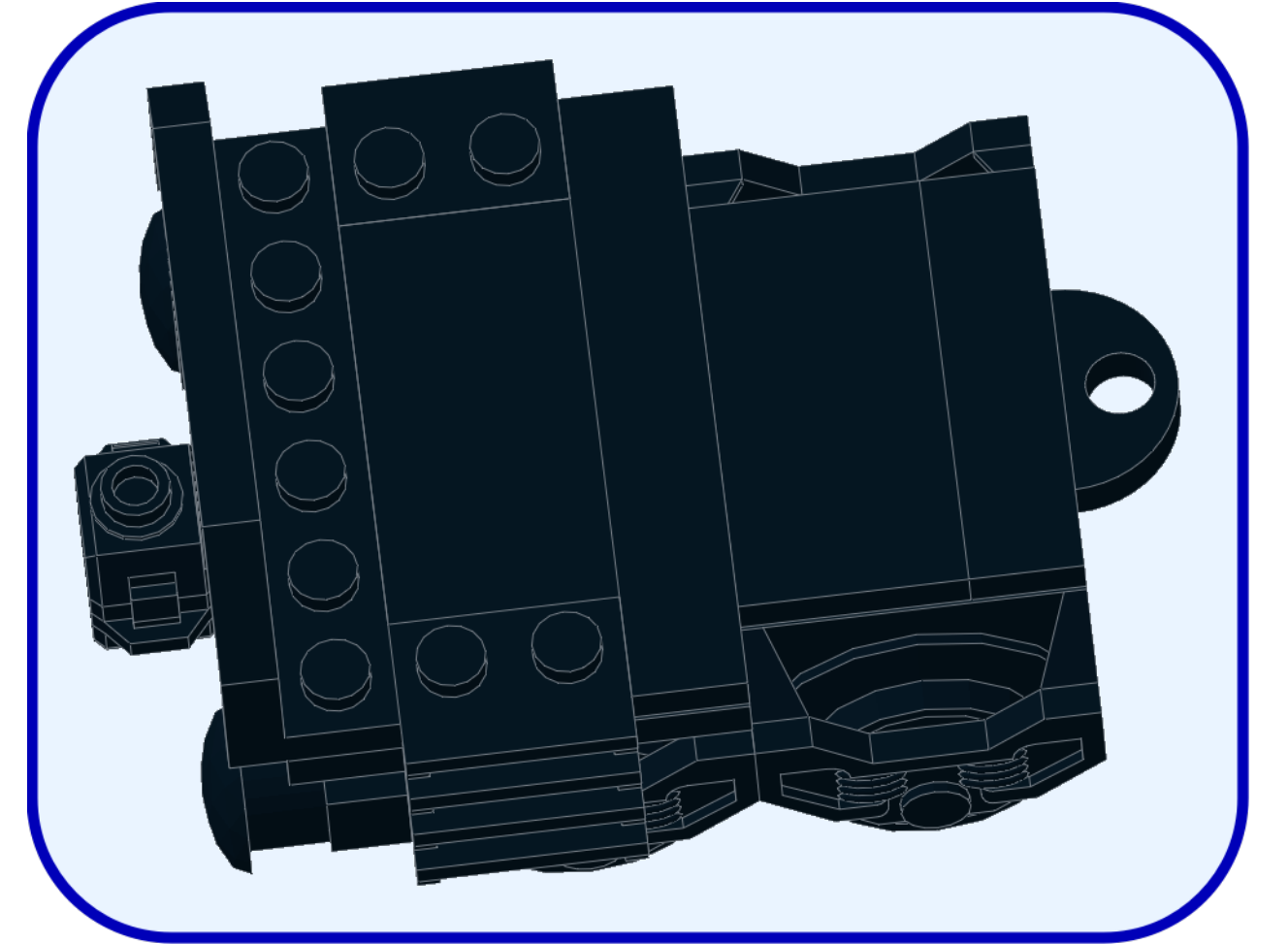
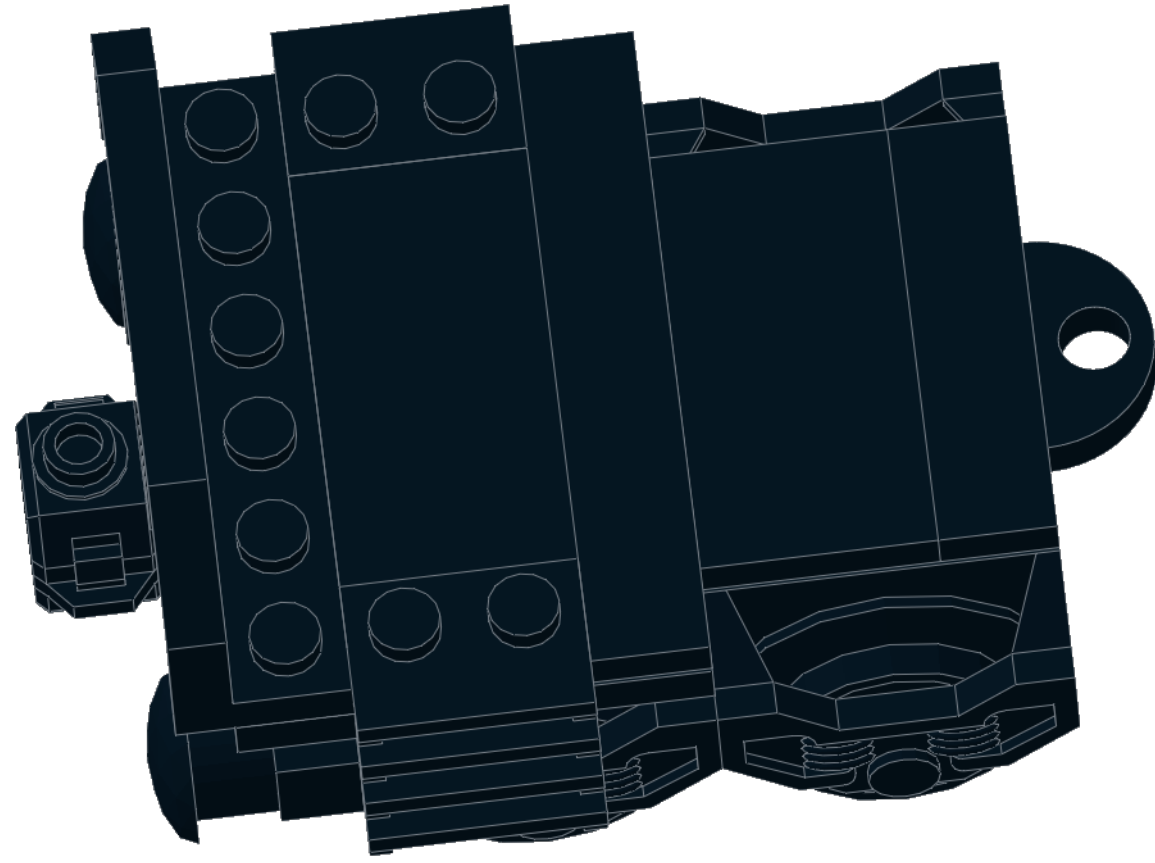


3

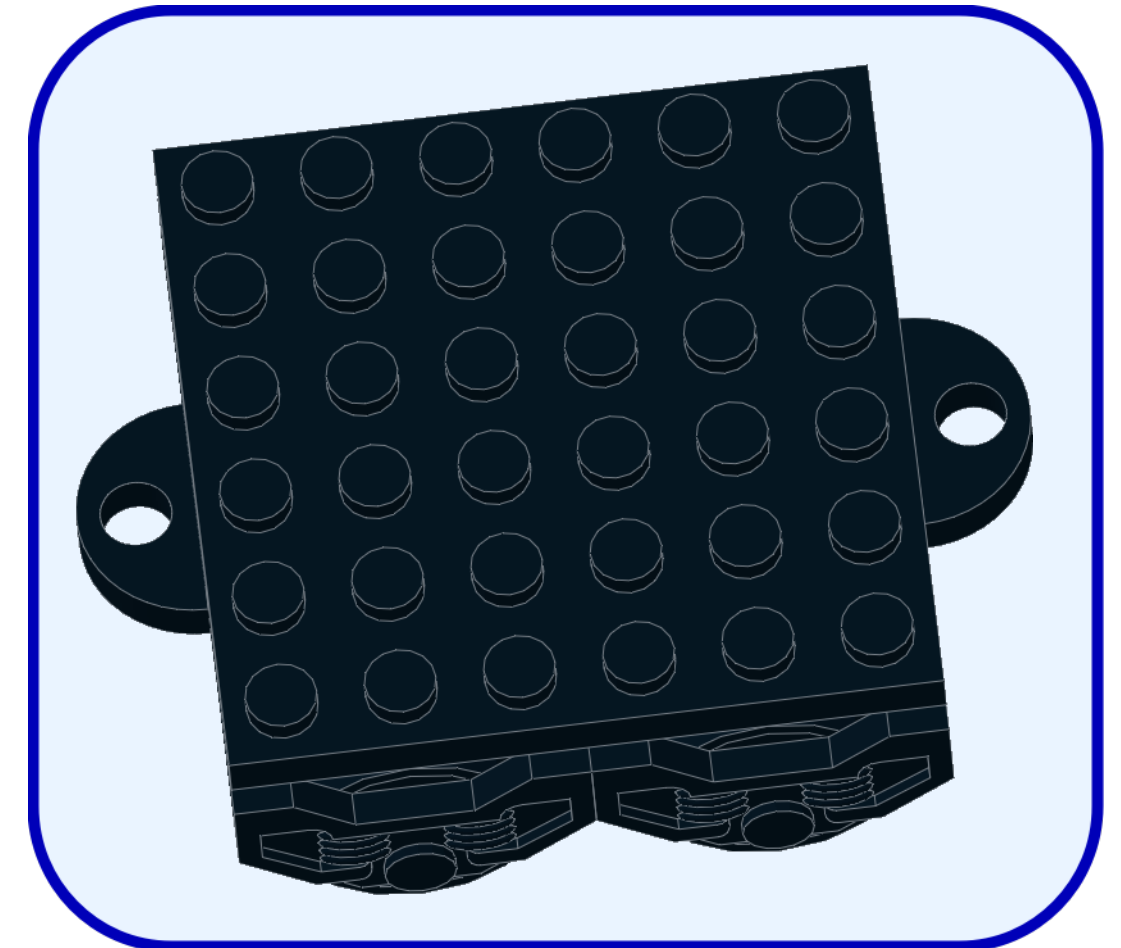
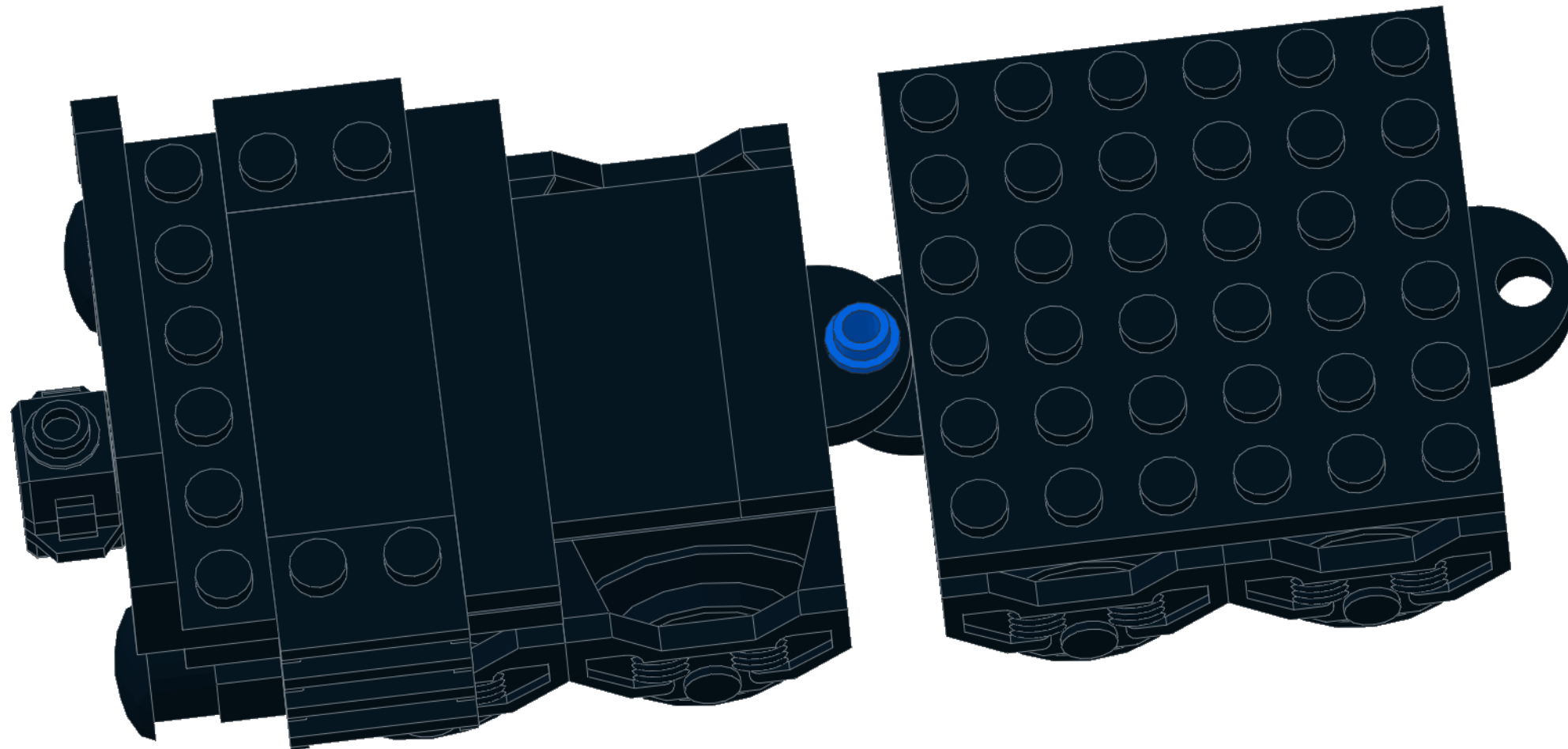
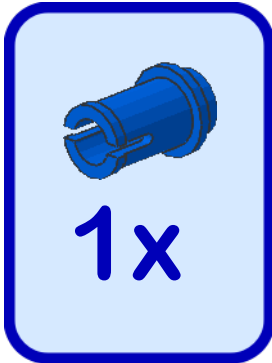




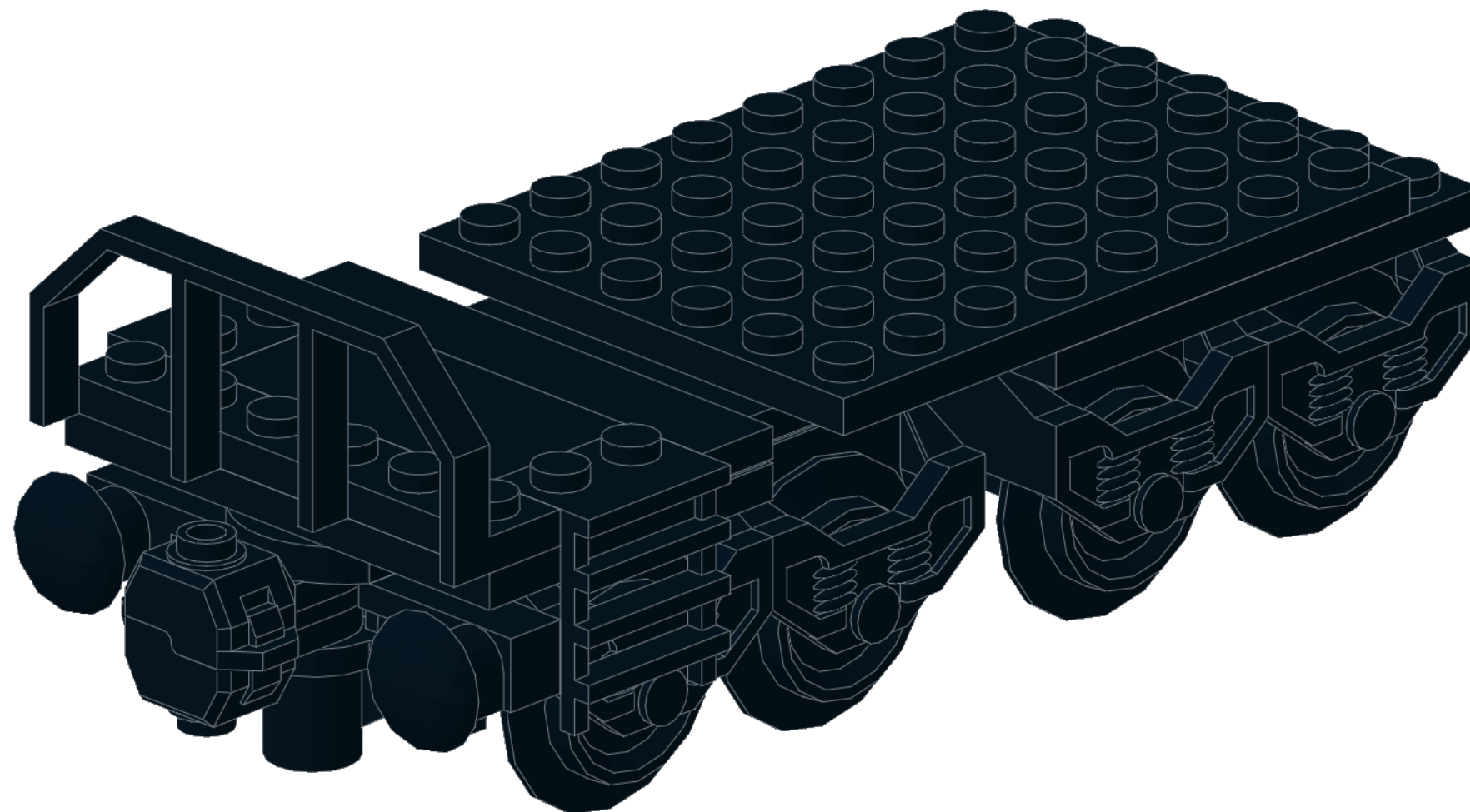
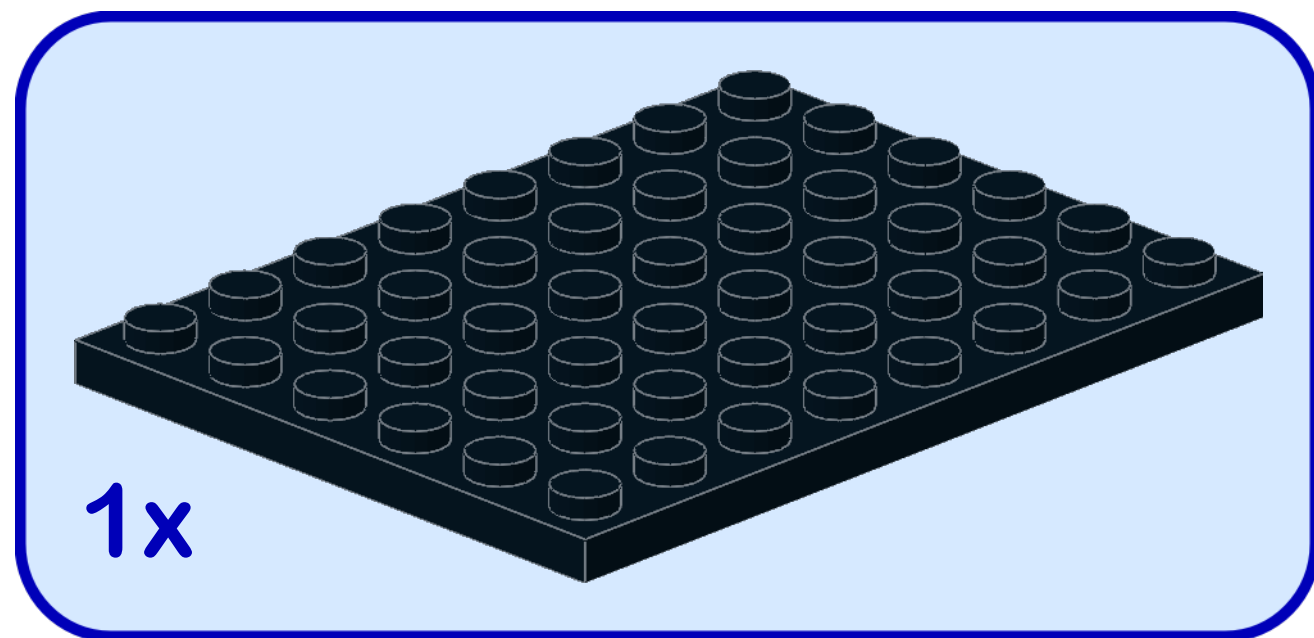
1



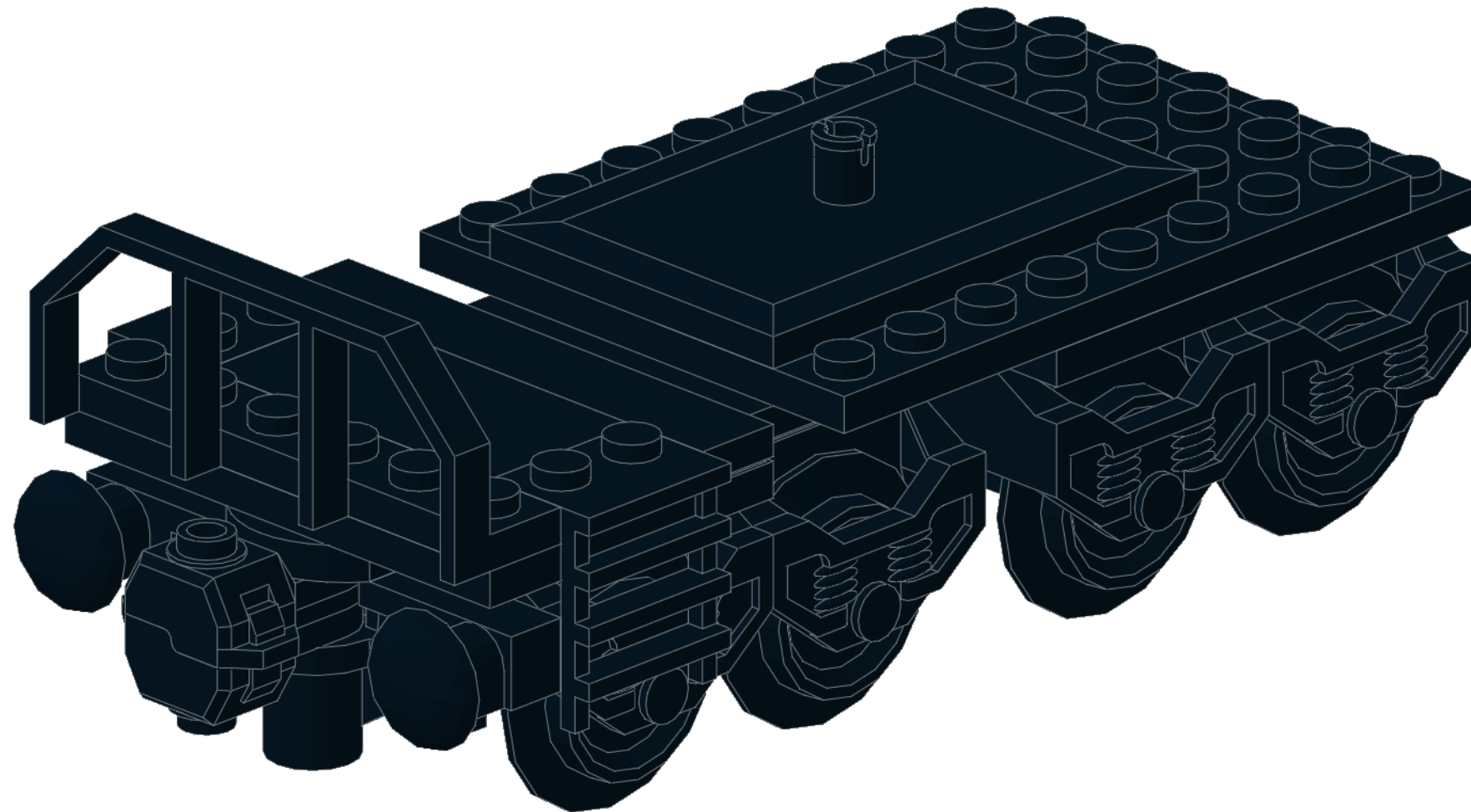
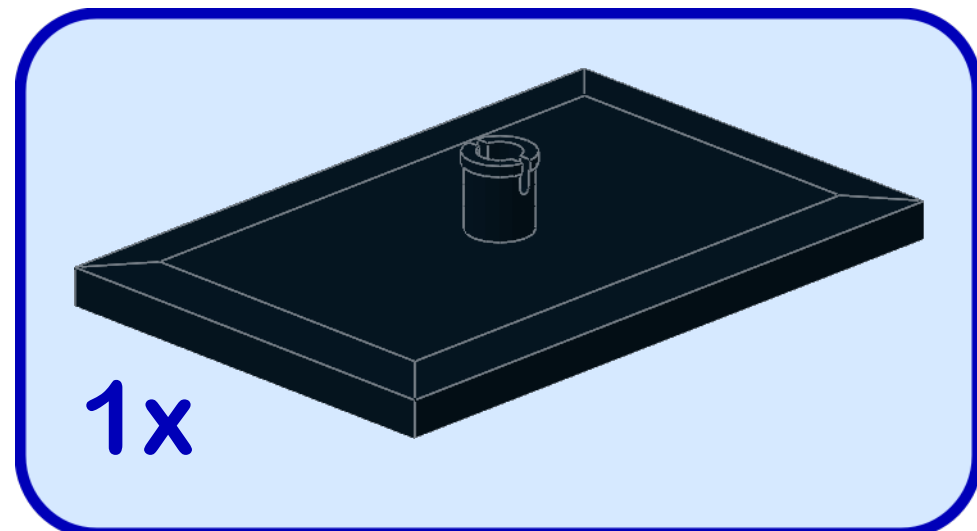
2



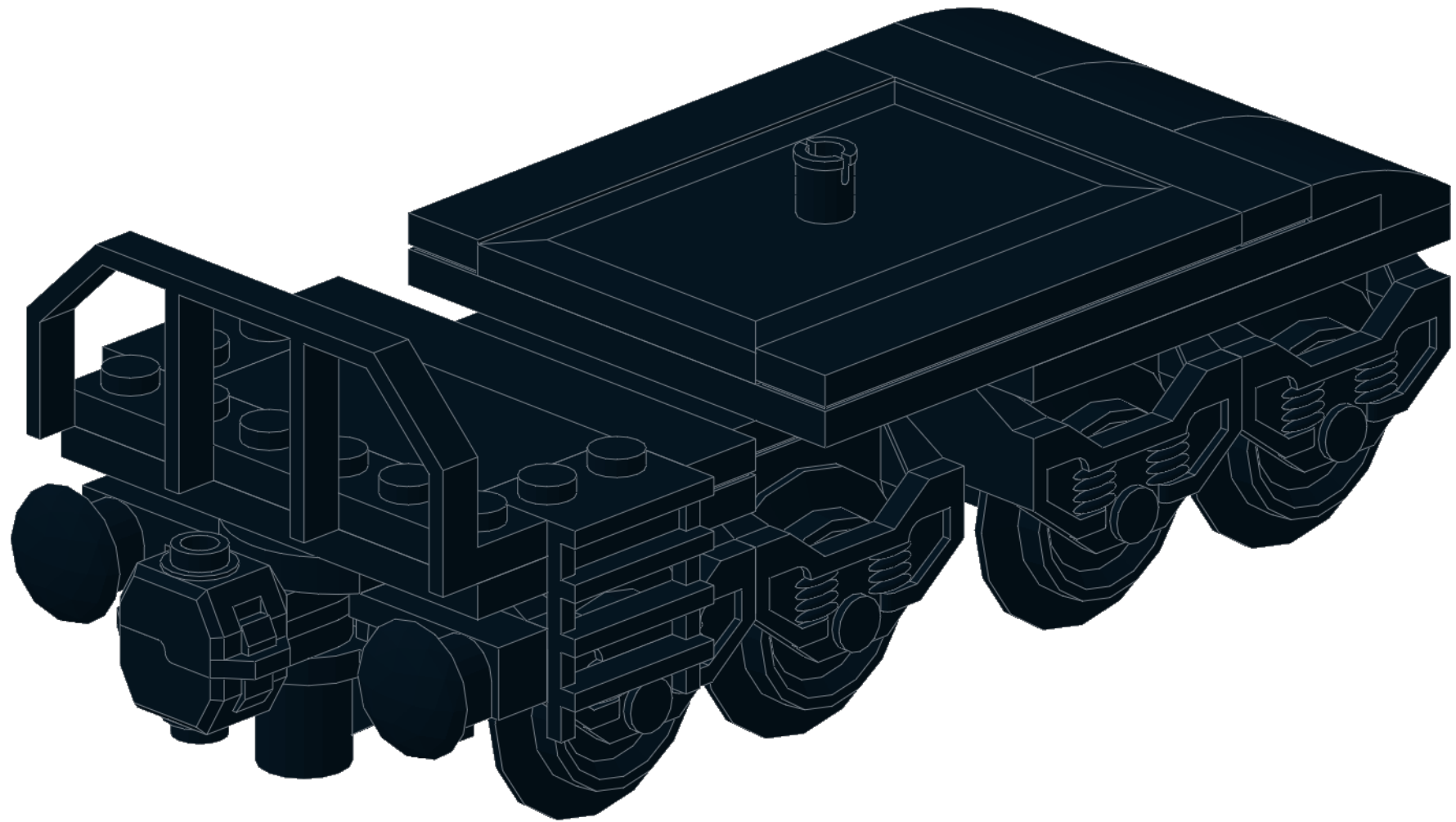
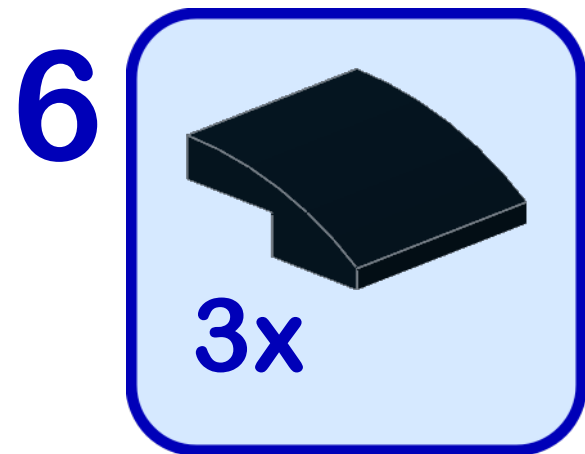
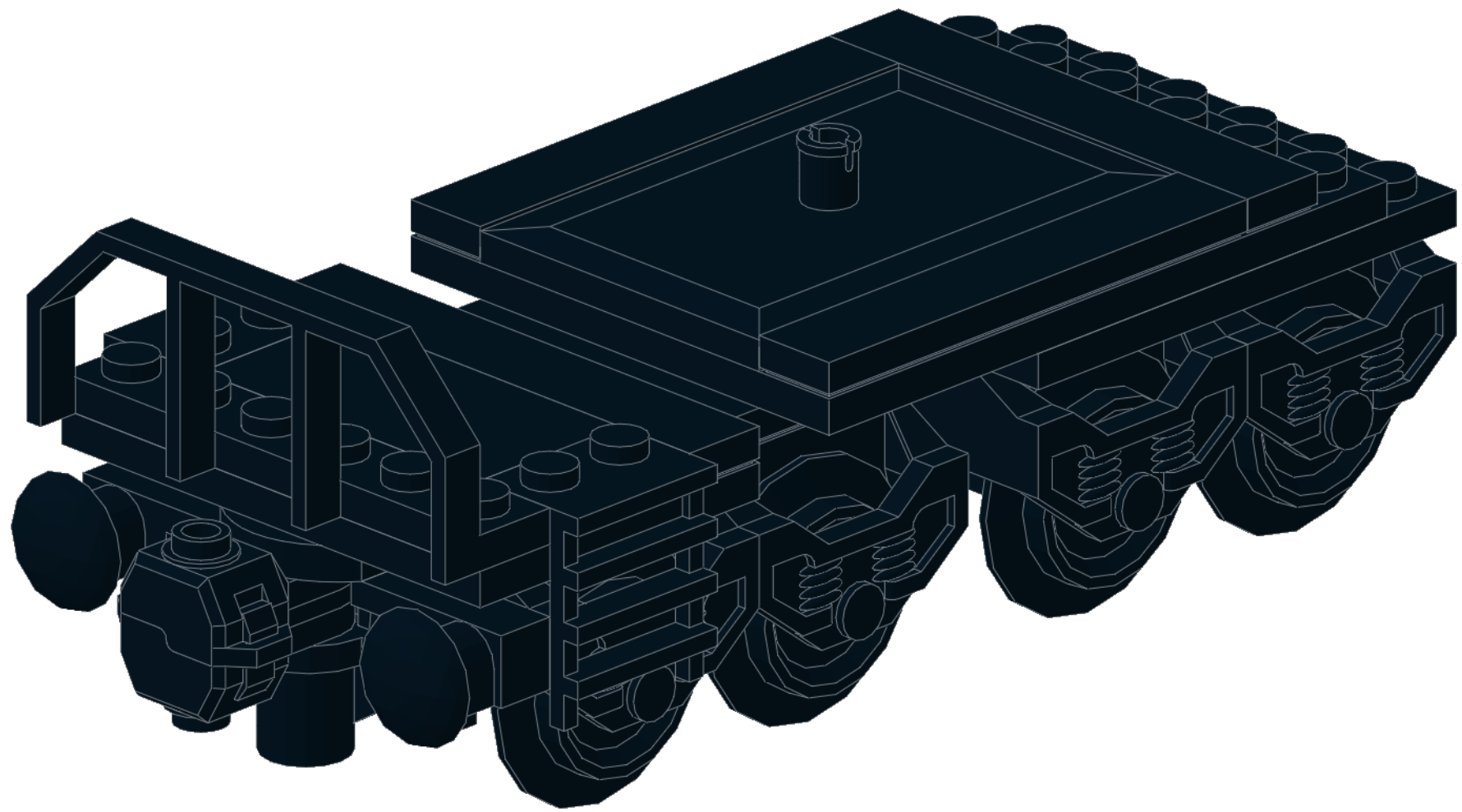
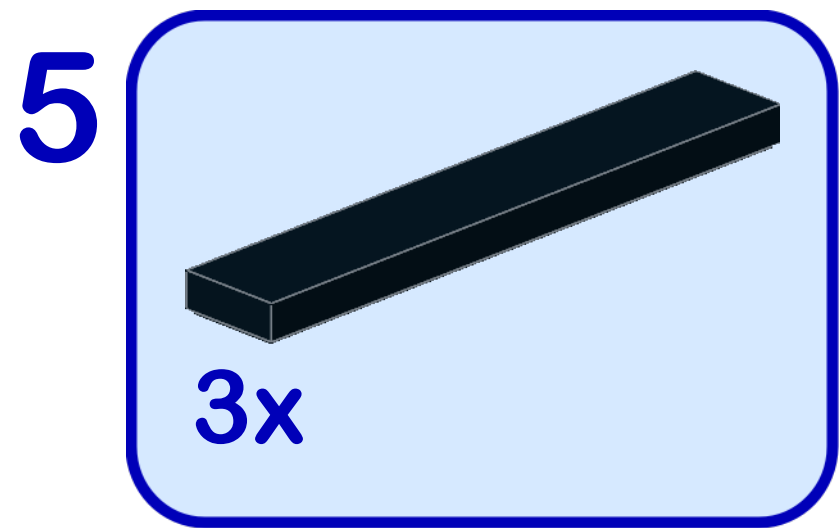
3



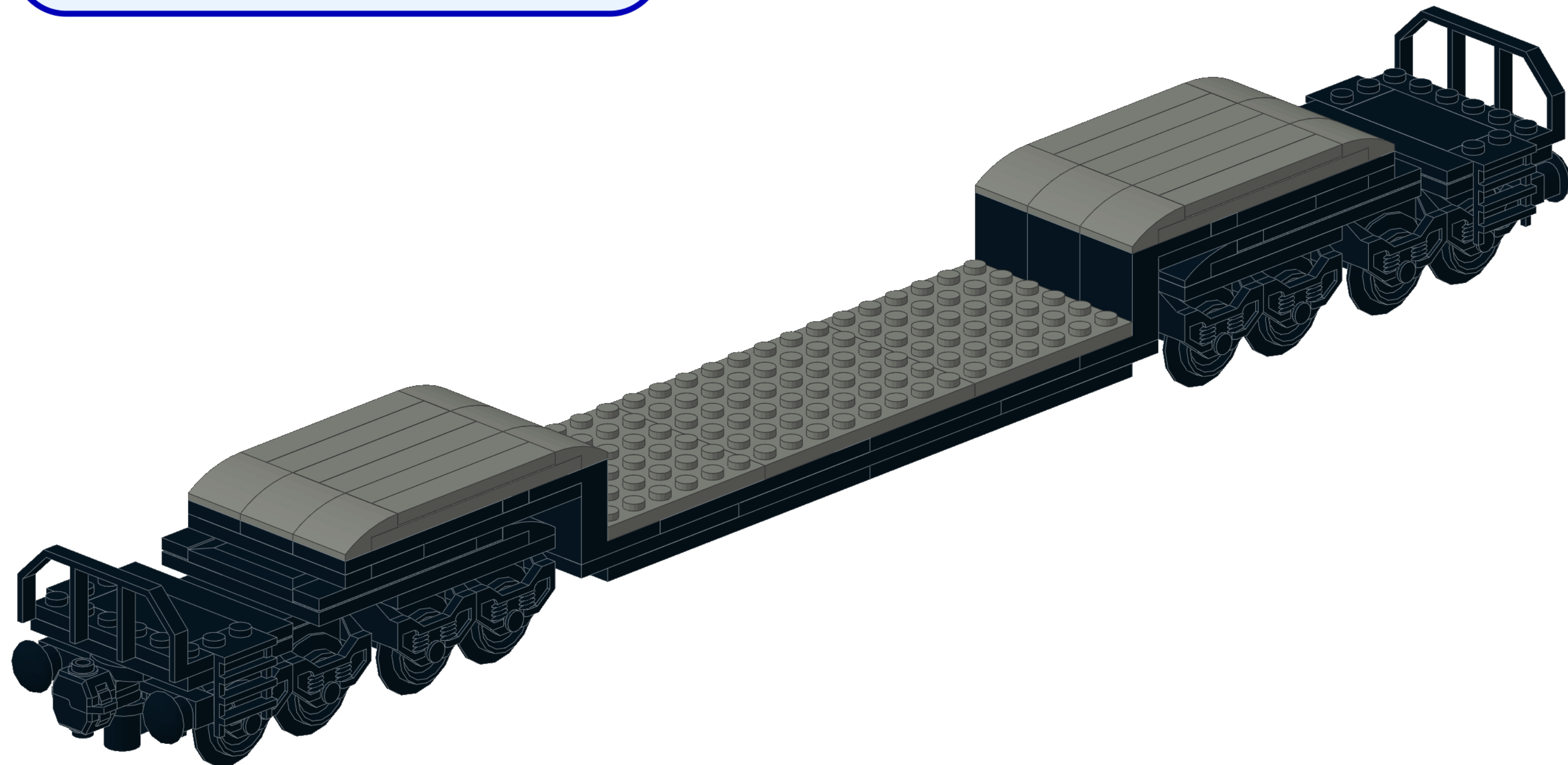
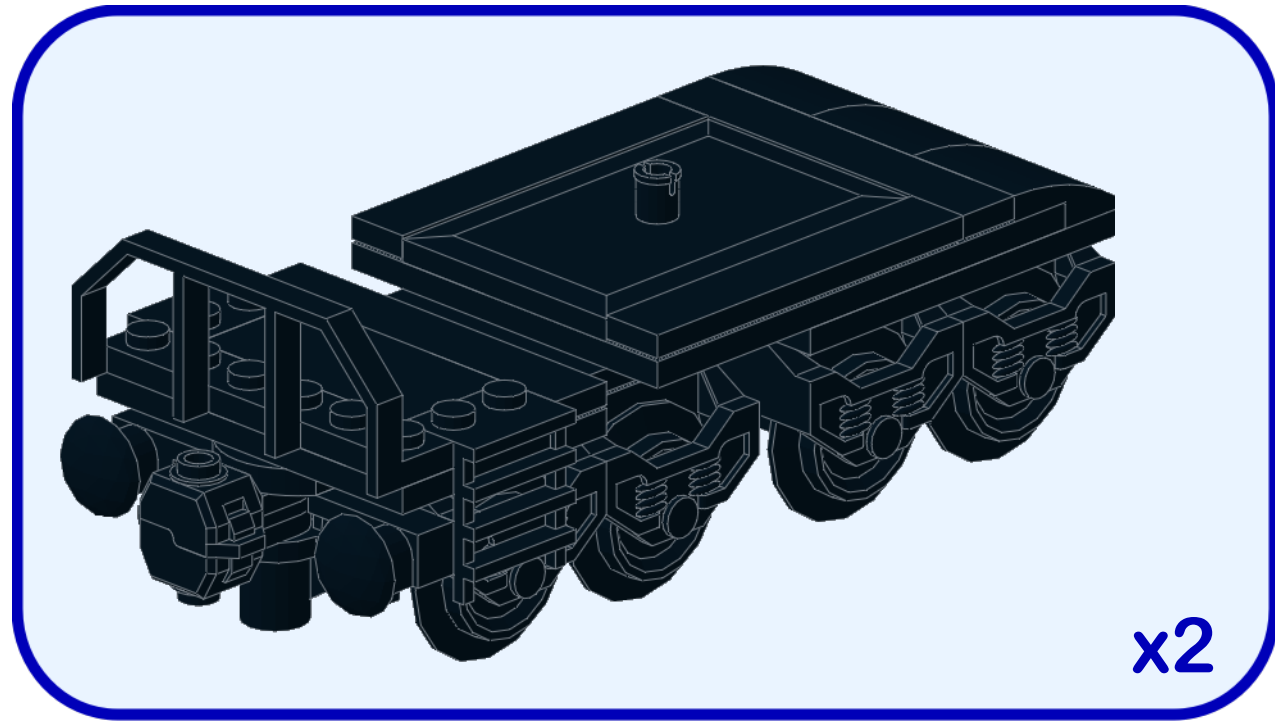
4





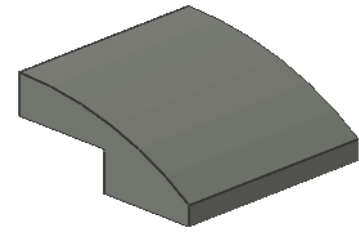


x2

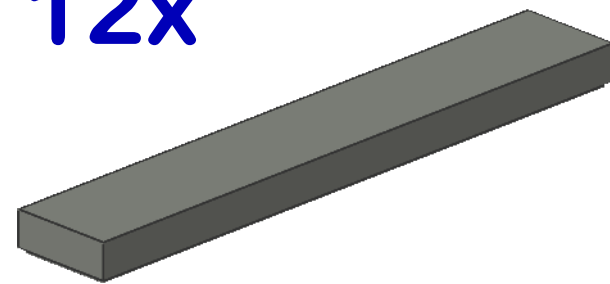




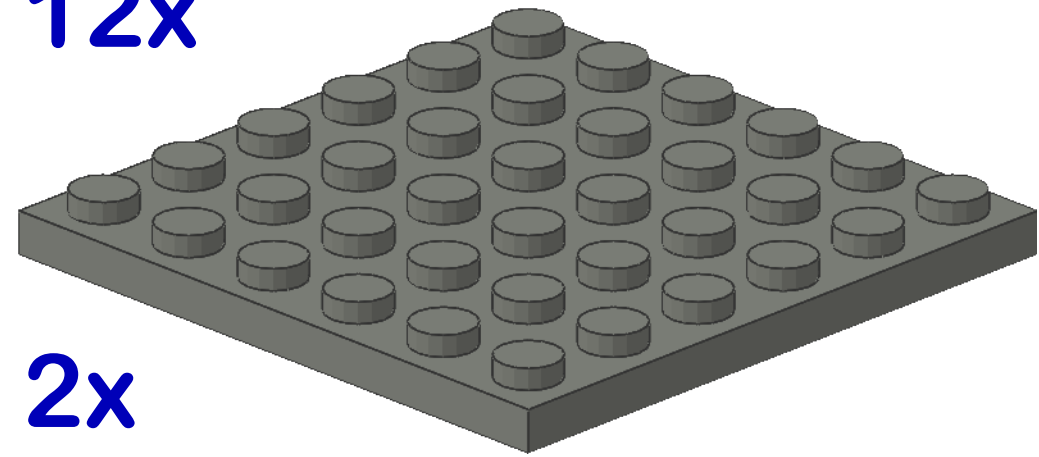
2x



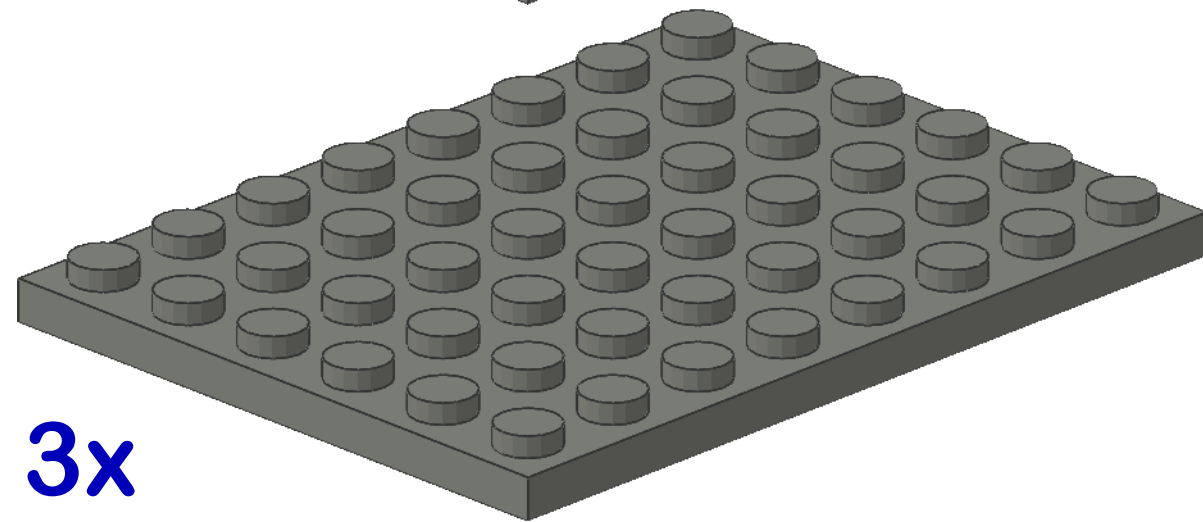
12x



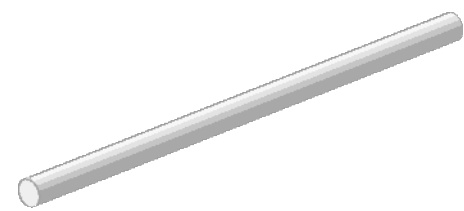
12x



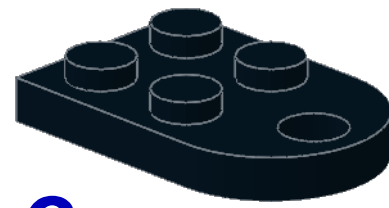
2x



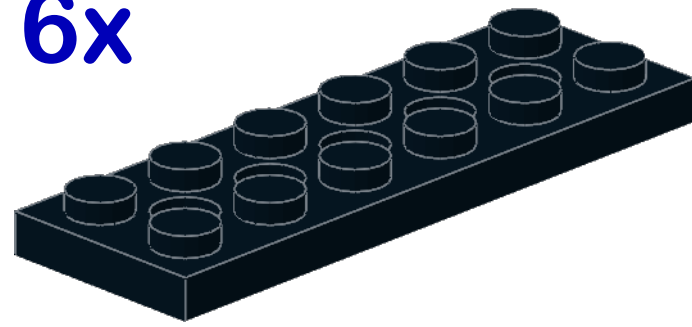
3x



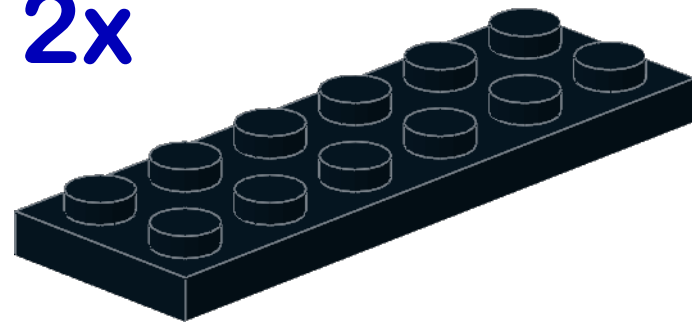
8x



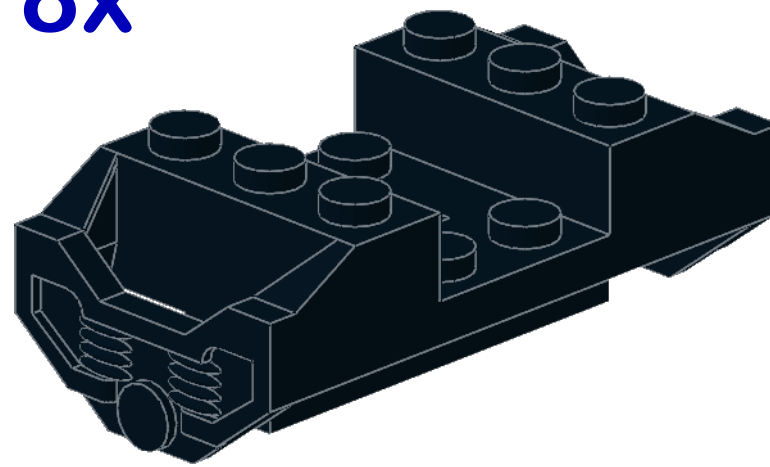
6x



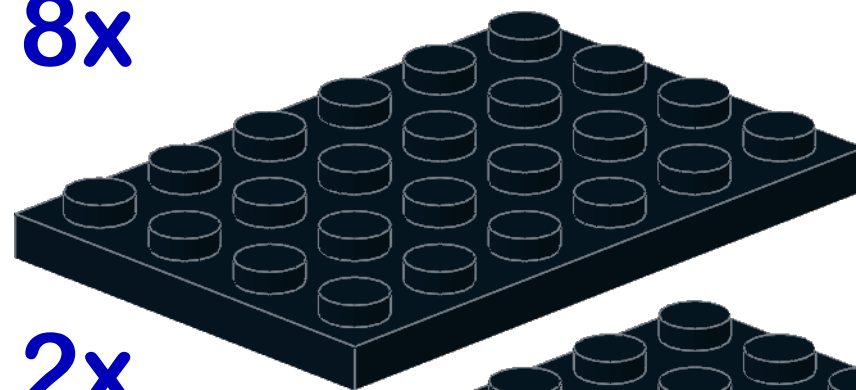
2x



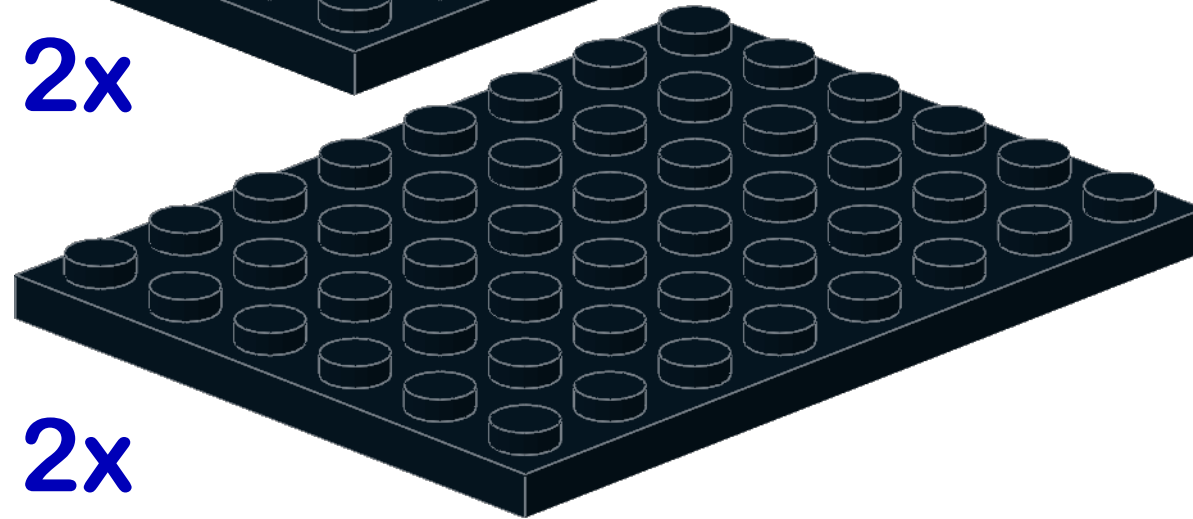
8x



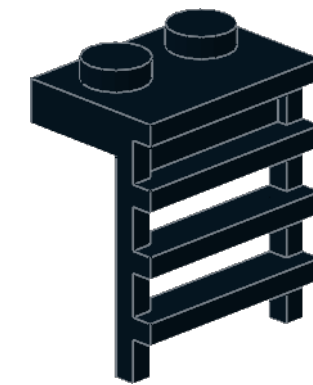
8x



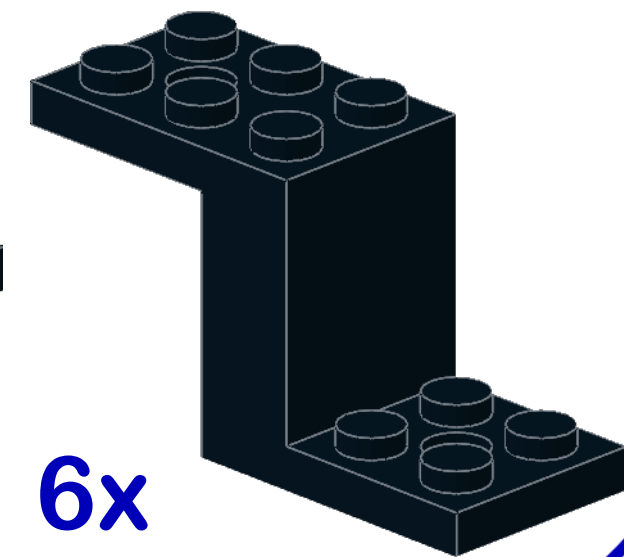
2x



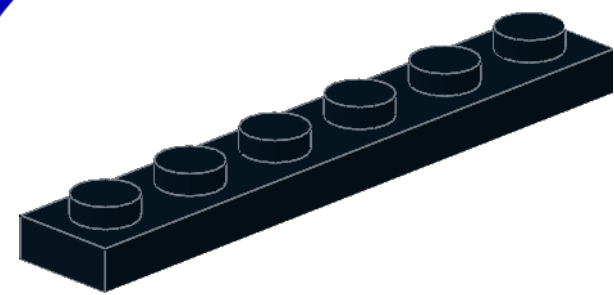
2x



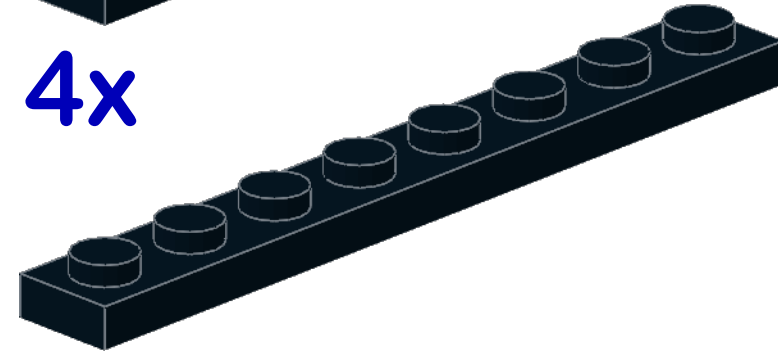
4x



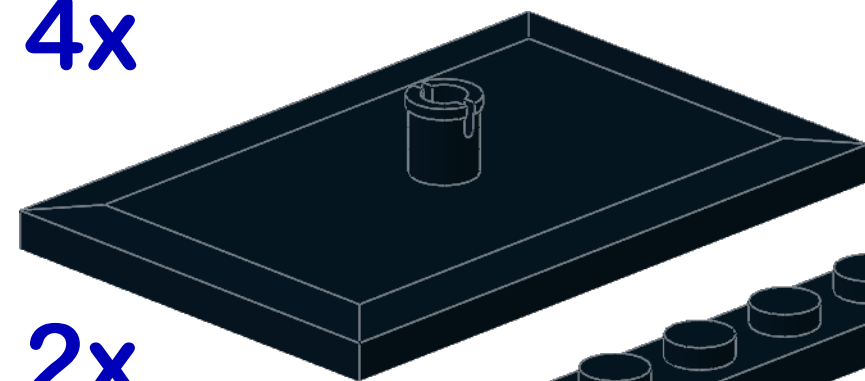
6x



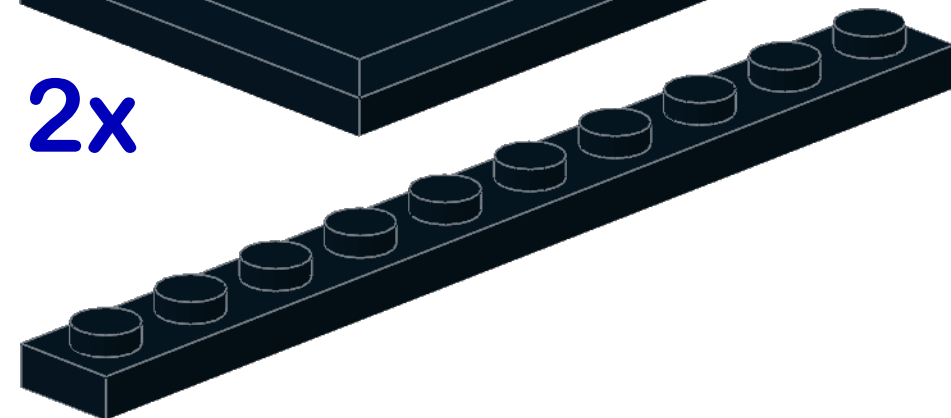
4x



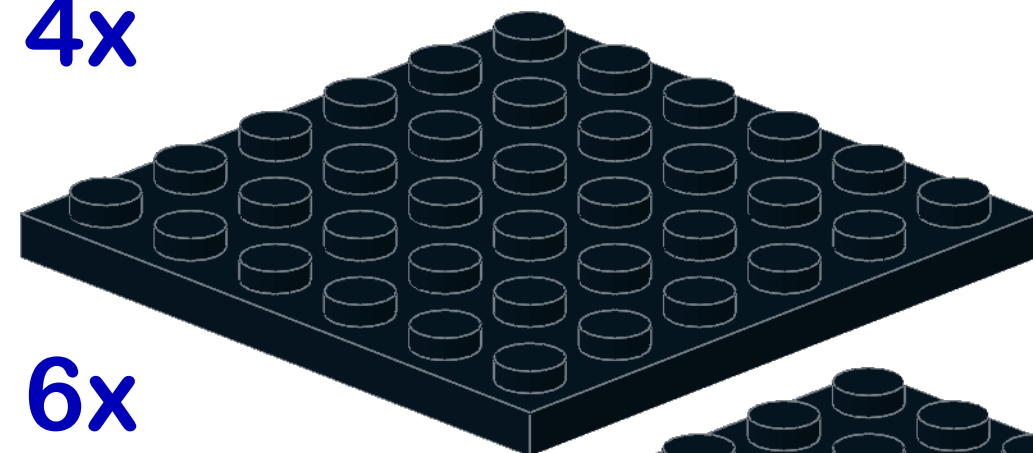
4x



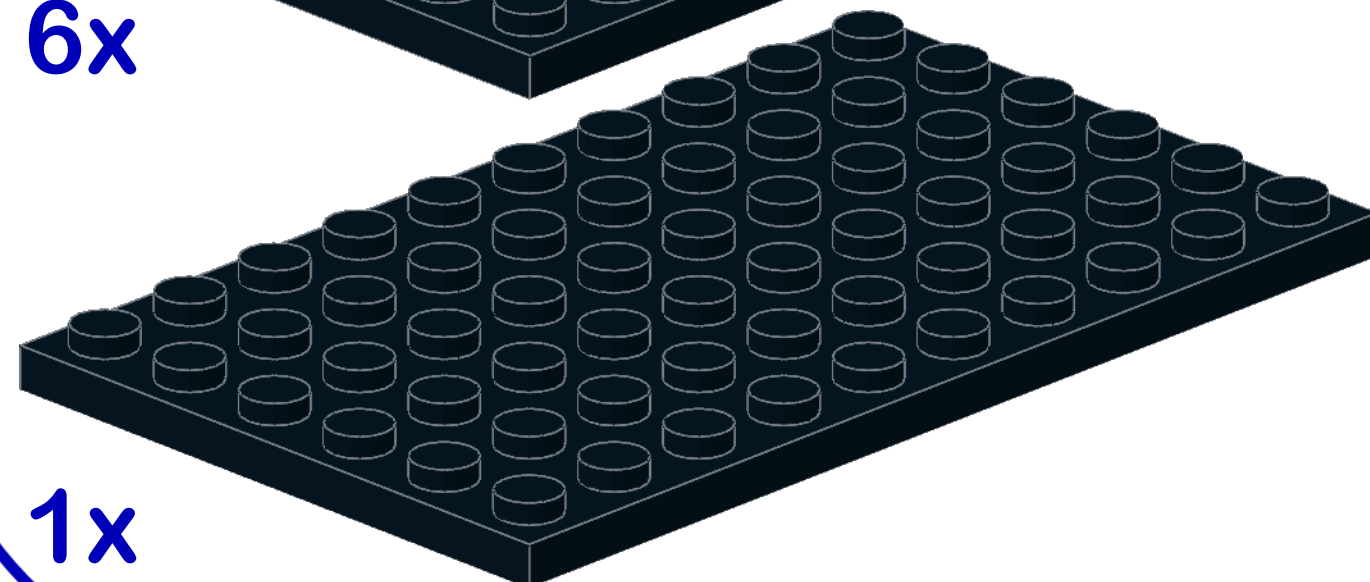
2x



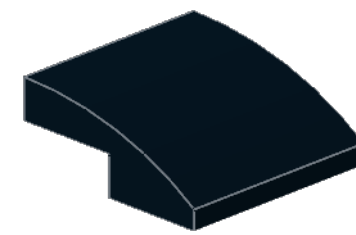
4x



6x



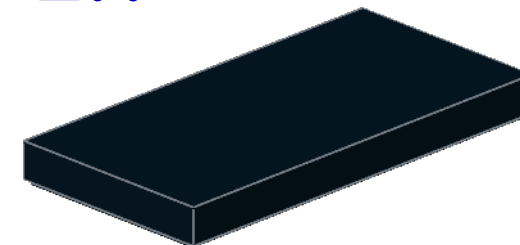
1x



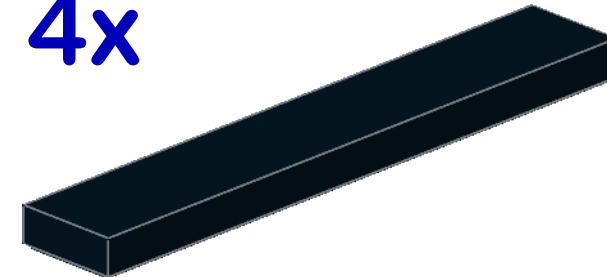
6x



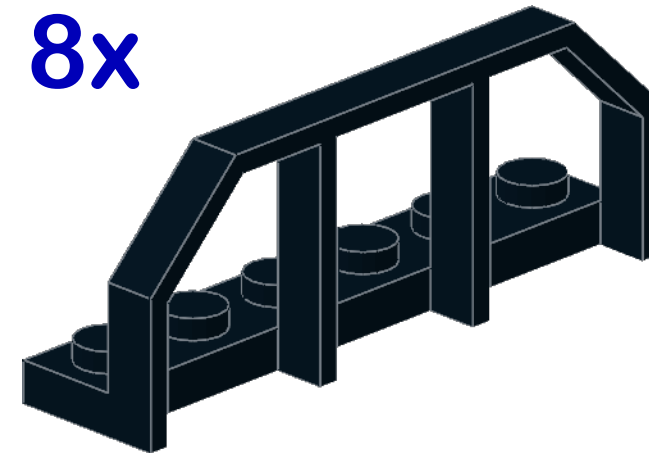
2x



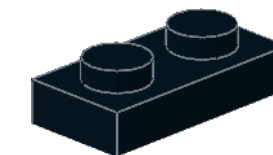
4x



8x



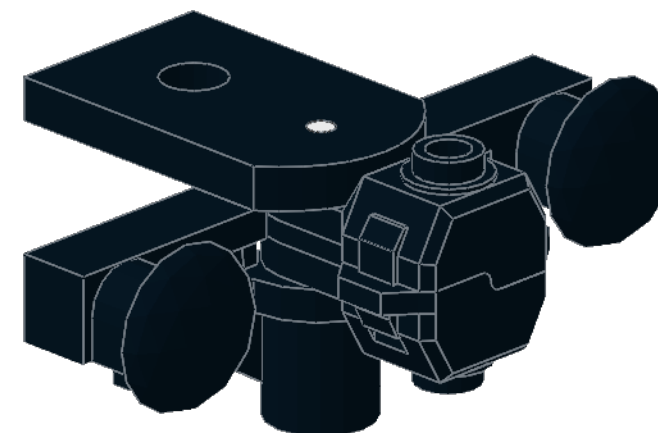
2x



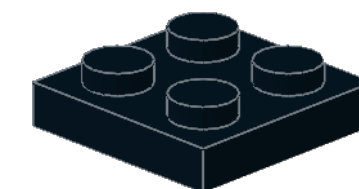
2x



16x



2x



4x